



**Digital Multi-Spectrum  
Electro-Optical  
Fire and Flame Detectors**

# Fire Sentry SS3 Detectors



## Features:

- Multi-Spectrum™ senses energy in the ultraviolet, visible and wide band Infrared™
- High False alarm immunity
- Detects hydrocarbon and non-hydrocarbon fires
- Microprocessor based algorithms: FirePic™ and Tri-Mode Plot™
- Wide field-of-view
- FS2000™ System compatible or stand alone operation
- Compatible with approved fire alarm panels

## Applications include:

- Warehouses
- Convention centers
- Computer rooms
- Hospitals
- Telephone switching stations

**The Fire Sentry SS3 fast-reacting, Ultraviolet (UV), wide band Infrared (IR) and visible spectral band electro-optical digital fire and flame detectors are designed to alarm on all types of fires. They have an alarm range of 9 m (30 ft) for a 0.1 m<sup>2</sup> (one square foot) gasoline reference fire with a 120° circular field of view coverage.**



To eliminate common nuisance false alarms that occasionally occur with UV-only, IR-only, Dual IR or Dual Mode UV/IR detectors, the Fire Sentry SS3 detectors' FireLogic signal processing requires that UV, visible and wide band IR radiant energy all be evaluated before declaring a fire. The smart detector utilises real-time signal processing algorithms that are optimised to alarm on all types of fires, while virtually eliminating the possibility of false alarms.

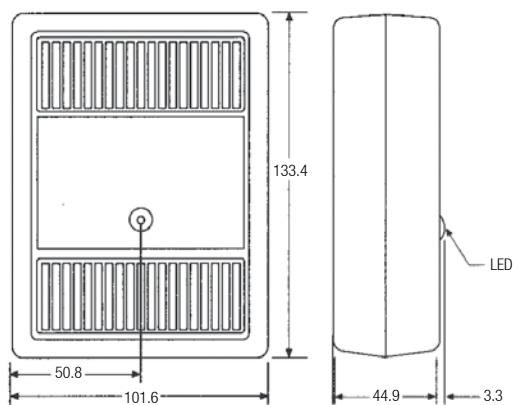
The Fire Sentry SS3 detectors perform the same whether they are connected to the FS2000 Fire Early Warning System (with CM1-A Controller and FireBus) or whether they operate in the stand-alone mode. The only difference between FS2000 System model and the stand-alone models is how each is wired.

The Fire Sentry SS3 detectors are available in latching (Fire Sentry SS3-A) and non-latching (Fire Sentry SS3-AN) models.

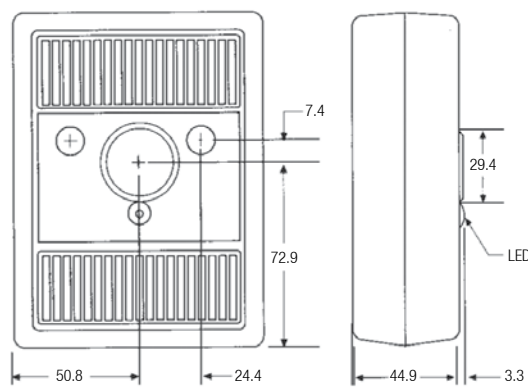
# General Specification



General Specification	
<b>Sensitivity</b>	0.1 m <sup>2</sup> (1 sq. ft.) gasoline fire at 9 m (30 ft.) within 5 seconds
<b>Response time</b>	2-5 seconds to 0.1 m <sup>2</sup> (1 sq. ft.) of gasoline fire at 9 m (30 ft.)
<b>Field-of-view</b>	SS3-A (UV/IR): 120 degrees cone of vision (±60 degrees from on axis)
<b>Spectral sensitivity</b>	Ultraviolet: 185 to 260 nanometres Wide Band Infrared: 0.7 to 3.5 micrometres Visible: 400 to 700 nanometres
<b>Input power</b>	24 Vdc nominal 12V minimum, 28V maximum
<b>Power consumption</b>	18 mA normal operation, typical 55 mA alarm condition, typical
<b>Output relays</b>	<b>Fire Alarm Relay:</b> NO & NC contacts Latching / Non-Latching, switch selectable Relay contact ratings: 0.5 A at 120 Vac, 1.0 A at 24 Vdc, non-inductive Fire alarm relay is de-energised during normal operation
<b>Operating temperature</b>	Operation: 0°C to 77°C (32°F to 170°F) Storage: -20°C to 85°C (-4°F to 185°F)
<b>Housing</b>	NEMA 1 high impact ABS; general purpose indoor use only
<b>Weight</b>	0.340 kg (12 ounces)
<b>Dimensions</b>	100 mm x 133 mm x 45 mm (4 in. x 5.25 in. x 1.75 in.)
<b>Mounting</b>	Installs on a wall, ceiling, etc. with the included mounting bracket or on two properly spaced panhead screws using the Detector's double keyhole
<b>Warranty</b>	One year from factory shipping date
<b>Certification</b>	CE



General Dimensions



SS3-A and SS3-AN Front

SS3-A and SS3-AN Side

# Our Product Range



## Fixed Gas Monitoring

Honeywell Analytics offers a wide range of fixed gas detection solutions for a diverse array of industries and applications including: Commercial properties, industrial applications, semiconductor manufacturers, energy plants and petrochemical sites.

- » Detection of flammable, Oxygen and toxic gases (including exotics)
- » Innovative use of four core sensing technologies – paper tape, electrochemical cell, catalytic bead and infrared
- » Capability to detect down to Parts Per Billion (ppb) or Percent by Volume (%v/v)
- » Cost effective regulatory compliance solutions

## Portable Gas Monitoring

When it comes to personal protection from gas hazards, Honeywell Analytics has a wide range of reliable solutions ideally suited for use in confined or enclosed spaces.

These include:

- » Detection of flammable, Oxygen and toxic gases
- » Single gas personal monitors – worn by the individual
- » Multi-gas portable gas monitors – used for confined space entry and regulatory compliance
- » Multi-gas transportable monitors – used for temporary protection of area during site construction and maintenance activities

## Technical Services

At Honeywell Analytics, we believe in the value of great service and customer care. Our key commitment is providing complete and total customer satisfaction. Here are just a few of the services we can offer:

- » Full technical support
- » Expert team on hand to answer questions and queries
- » Fully equipped workshops to ensure quick turnaround on repairs
- » Comprehensive service engineer network
- » Training on product use and maintenance
- » Mobile calibration service
- » Customised programmes of preventative/corrective maintenance
- » Extended warranties on products

### Find out more

[www.honeywellanalytics.com](http://www.honeywellanalytics.com)

### Contact Honeywell Analytics:

#### Europe, Middle East, Africa, India

Life Safety Distribution AG  
Javastrasse 2  
8604 Hegnau  
Switzerland  
Tel: +41 (0)44 943 4300  
Fax: +41 (0)44 943 4398  
India Tel: +91 124 4752700  
[gasdetection@honeywell.com](mailto:gasdetection@honeywell.com)

#### Americas

Honeywell Analytics Inc.  
405 Barclay Blvd.  
Lincolnshire, IL 60069  
USA  
Tel: +1 847 955 8200  
Toll free: +1 800 538 0363  
Fax: +1 847 955 8210  
[detectgas@honeywell.com](mailto:detectgas@honeywell.com)

#### Asia Pacific

Honeywell Analytics Asia Pacific  
#701 Kolon Science Valley (1)  
43 Digital-Ro 34-Gil, Guro-Gu  
Seoul 152-729  
Korea  
Tel: +82 (0)2 6909 0300  
Fax: +82 (0)2 2025 0329  
[analytics.ap@honeywell.com](mailto:analytics.ap@honeywell.com)

### Technical Services

EMEA: [HAexpert@honeywell.com](mailto:HAexpert@honeywell.com)  
US: [ha.us.service@honeywell.com](mailto:ha.us.service@honeywell.com)  
AP: [ha.ap.service@honeywell.com](mailto:ha.ap.service@honeywell.com)

[www.honeywell.com](http://www.honeywell.com)

#### Please Note:

While every effort has been made to ensure accuracy in this publication, no responsibility can be accepted for errors or omissions. Data may change, as well as legislation, and you are strongly advised to obtain copies of the most recently issued regulations, standards, and guidelines. This publication is not intended to form the basis of a contract.

H\_Fire Sentry\_SS3\_DS01123\_V3\_EMEA1

07/13

© 2013 Honeywell Analytics

We Save Lives

