

## Ex d, Weatherproof



## Introduction

These certified LED Beacons have been designed for use in potentially explosive atmospheres and harsh environmental conditions. The enclosures are suitable for use offshore or onshore where light weight combined with corrosion resistance is required.

The housings are manufactured completely from a UV stable glass reinforced polyester. Stainless steel screws and mounting bracket are available ensuring a totally corrosion free product.

The LD15 incorporates a low maintenance, innovative LED array, which has a life of up to 54,000 hours. The low current consumption design allows an energy efficient solution without compromising light output.

Units can be painted to customers specification and supplied with identification labels.

## Features

- Zone 1, 2, 21 & 22.
- Ex d IIC T6/T5.
- ATEX Certified Ex II 2GD.
- IECEx Certified Gb, Db.
- CUTR Certified.
- IP66 & 67.
- SIL 1 Certified
- -55°C to +70°C.
- Corrosion-free GRP
- Optional stainless steel backstrap.
- Various lens colours.
- Optional cast aluminium or wire stainless steel guard.
- Up to 3 x M20 or 3 x M25 entries.
- 5 user selectable functions:
  - 60 fpm
  - 80 fpm
  - 120 fpm
  - Double Flash
  - Steady
- Remote and local function selection.



# Certification and Specification

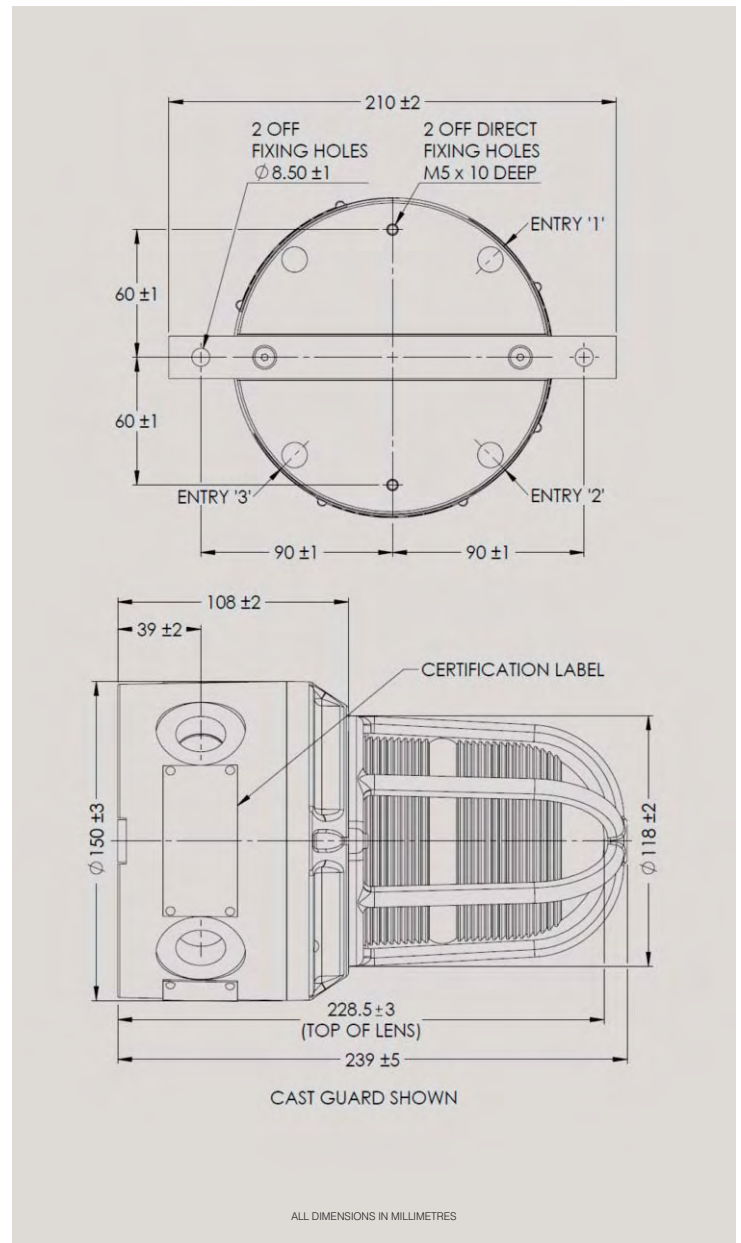
<b>ATEX Ex d:</b>	Cert. no. Baseefa 04ATEX0009X. Certified to: EN60079-0, EN60079-1, EN60079-31. Ex II 2GD, Ex d IIC T5/T6 Gb, Ex tb IIIC T85°C/T100°C Db.
<b>IECEX Ex d:</b>	Cert. no. IECEX BAS 05.0048X. Certified to: IEC60079-0, IEC60079-1, IEC60079-31. Ex d IIC T5/T6 Gb, Ex tb IIIC T85°C/T100°C Db. Russian Fire Alarm approved.
<b>CUTR Ex d:</b>	1Ex d IIC T5/T6 Gb, Ex tb IIIC T85°C/T100°C Db. Russian Fire Alarm approved.
<b>SIL 1:</b>	Certification No. FSP 13005/01.
<b>Material:</b>	Body: Glass reinforced polyester. Lens: Glass. Backstrap: Stainless steel 316. Wire Guard (optional): Stainless steel wire. Cast Guard (optional): Aluminium LM25M.
<b>Finish:</b>	Natural black or painted to customer specification.
<b>Voltage:</b>	12V d.c. to 48V d.c.
<b>LED Life:</b>	Up to 54,000 hours.
<b>Function:</b>	Steady, 60, 80 & 120 fpm, Double Flash.
<b>Certified Temp:</b>	-55°C to +70°C (T5). -55°C to +55°C (T6).
<b>Weight:</b>	3.0kg.
<b>Ingress Protection:</b>	IP66 & IP67.
<b>Entries:</b>	Supplied as 2 x M20 entries as standard. Up to 3 x M20 or 3 x M25 entries available. Contact the sales office to order.
<b>Terminals:</b>	12 x 2.5mm <sup>2</sup> .
<b>Labels:</b>	Tag/Duty optional.

## Electrical Ratings:

	d.c.		
Voltage	12	24	48
Current (mA) - steady	423	211	113
Current (mA) - 60fpm	878	419	214
Inrush Current (mA)	132	286	702
Inrush Duration (ms)	258	114	61

## Typical Light Output (effective cd):

Colour	Red	Blue	Green	Amber	Clear	Yellow
60 fpm	61	24	86	55	128	122
80 fpm	55	22	78	49	117	112
120 fpm	47	19	66	42	100	95
Steady	41	17	59	39	86	82



# Ordering Requirements

The following code is designed to help in selection of the correct unit. Build up the reference number by inserting the code for each component into the appropriate box.

<b>Model</b> LD15	<b>Certification</b> [ ]	<b>Voltage</b> [ ]	<b>Lens Colour</b> [ ]	<b>Lens Guard</b> [ ]	<b>Fixings</b> [ ]	<b>Options</b> [ ]	<b>Finish</b> [ ]																																																													
	<table border="1"> <thead> <tr> <th>Certification</th> <th>Code</th> </tr> </thead> <tbody> <tr><td>ATEX</td><td>B</td></tr> <tr><td>IECEX</td><td>J</td></tr> <tr><td>CUTR</td><td>G</td></tr> <tr><td>Weatherproof</td><td>W</td></tr> </tbody> </table>	Certification	Code	ATEX	B	IECEX	J	CUTR	G	Weatherproof	W	<table border="1"> <thead> <tr> <th>Voltage</th> <th>Code</th> </tr> </thead> <tbody> <tr><td>12-48Vd.c.</td><td>048</td></tr> </tbody> </table>	Voltage	Code	12-48Vd.c.	048	<table border="1"> <thead> <tr> <th>Lens Colour</th> <th>Code</th> </tr> </thead> <tbody> <tr><td>Red</td><td>R</td></tr> <tr><td>Blue</td><td>B</td></tr> <tr><td>Green</td><td>G</td></tr> <tr><td>Amber</td><td>A</td></tr> <tr><td>Clear</td><td>C</td></tr> <tr><td>Yellow</td><td>Y</td></tr> </tbody> </table>	Lens Colour	Code	Red	R	Blue	B	Green	G	Amber	A	Clear	C	Yellow	Y	<table border="1"> <thead> <tr> <th>Guard</th> <th>Code</th> </tr> </thead> <tbody> <tr><td>None</td><td>N</td></tr> <tr><td>Cast</td><td>C</td></tr> <tr><td>Wire</td><td>W</td></tr> </tbody> </table>	Guard	Code	None	N	Cast	C	Wire	W	<table border="1"> <thead> <tr> <th>Option</th> <th>Code</th> </tr> </thead> <tbody> <tr><td>None</td><td>N</td></tr> <tr><td>Tag label</td><td>T*</td></tr> <tr><td>Duty label</td><td>D*</td></tr> <tr><td>Blanking Plug</td><td>P</td></tr> </tbody> </table> <p>* Please specify.</p>	Option	Code	None	N	Tag label	T*	Duty label	D*	Blanking Plug	P	<table border="1"> <thead> <tr> <th>Finish</th> <th>Code</th> </tr> </thead> <tbody> <tr><td>Natural Black</td><td>N</td></tr> <tr><td>Red</td><td>R</td></tr> <tr><td>Blue</td><td>B</td></tr> <tr><td>Yellow</td><td>Y</td></tr> <tr><td>Green</td><td>G</td></tr> <tr><td>White</td><td>W</td></tr> <tr><td>Special</td><td>S*</td></tr> </tbody> </table> <p>* Please specify.</p>	Finish	Code	Natural Black	N	Red	R	Blue	B	Yellow	Y	Green	G	White	W	Special	S*
Certification	Code																																																																			
ATEX	B																																																																			
IECEX	J																																																																			
CUTR	G																																																																			
Weatherproof	W																																																																			
Voltage	Code																																																																			
12-48Vd.c.	048																																																																			
Lens Colour	Code																																																																			
Red	R																																																																			
Blue	B																																																																			
Green	G																																																																			
Amber	A																																																																			
Clear	C																																																																			
Yellow	Y																																																																			
Guard	Code																																																																			
None	N																																																																			
Cast	C																																																																			
Wire	W																																																																			
Option	Code																																																																			
None	N																																																																			
Tag label	T*																																																																			
Duty label	D*																																																																			
Blanking Plug	P																																																																			
Finish	Code																																																																			
Natural Black	N																																																																			
Red	R																																																																			
Blue	B																																																																			
Yellow	Y																																																																			
Green	G																																																																			
White	W																																																																			
Special	S*																																																																			
				<table border="1"> <thead> <tr> <th>Fixings</th> <th>Code</th> </tr> </thead> <tbody> <tr><td>Direct mount without backstrap</td><td>D</td></tr> <tr><td>Direct mount with backstrap</td><td>B</td></tr> </tbody> </table>	Fixings	Code	Direct mount without backstrap	D	Direct mount with backstrap	B																																																										
Fixings	Code																																																																			
Direct mount without backstrap	D																																																																			
Direct mount with backstrap	B																																																																			

All specifications, dimensions, weights and tolerances are nominal (typical) and MEDC reserve the right to vary all data without prior notice. No liability is accepted for any consequence of use.