

Ex d(e), Weatherproof



Features

- Zone 1 and Zone 2 use.
- Ex d(e) IIB T4.
- ATEX Approved, Ex II 2G.
- BASEEFA certified.
- IECEx certified Gb.
- CUTR certified.
- Brazilian (Inmetro) certified.
- IP66 and IP67.
- Certified Temperature: -55°C to +55°C*.
- Low current 10 Joule version available.
- Corrosion Free GRP.
- Various lens colours.
- Lens guard fitted as standard.
- Stainless steel mounting bracket & screws.
- Replaceable twin tubes.
- Optional telephone initiate.
- Optional earth continuity.

* Model dependent.

Introduction

These compact and lightweight 10 & 15 Joule beacons have been designed for use in potentially explosive atmospheres and harsh environmental conditions. The beacon housing, including the flamepaths, is manufactured completely from a UV stable glass reinforced polyester which is ideally suited for use offshore and onshore.

Stainless Steel screws and mounting bracket are incorporated ensuring a totally corrosion free unit.

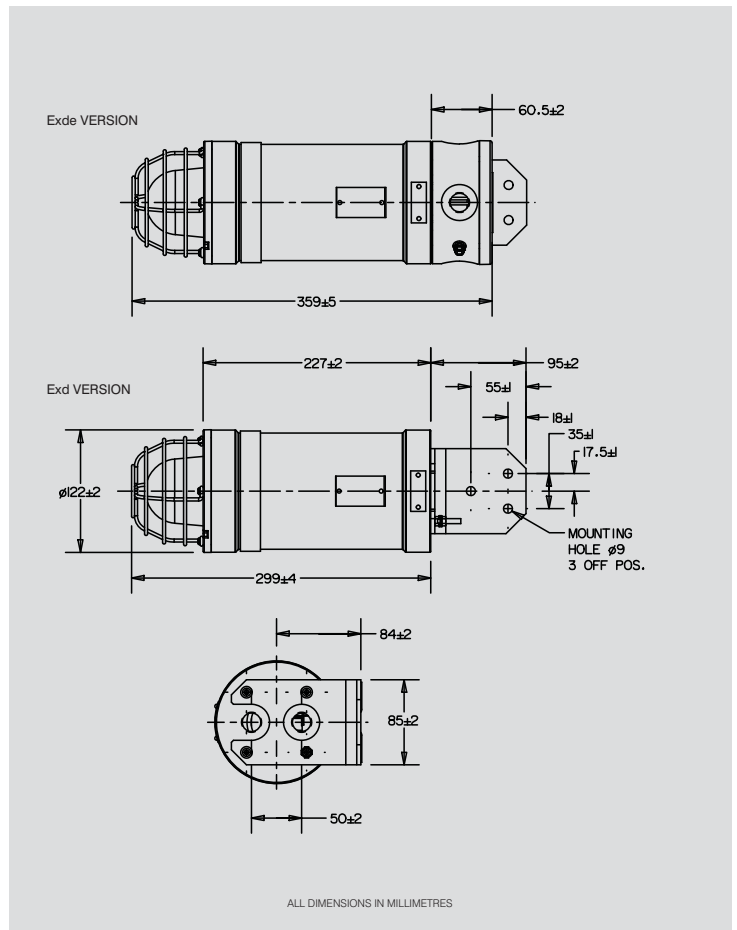
An additional body clamp is available for high-vibration environments.

Units can be painted to customer specification and supplied with identification labels.



Certification and Specification

ATEX Ex d:	Cert. no. Baseefa 04ATEX2204X. Certified to: EN60079-0, EN60079-1. Ex II 2G, Ex d IIB T4 Gb.
ATEX Ex de:	Cert. no. Baseefa 04ATEX2226X. Certified to: EN60079-0, EN60079-1, EN60079-7. Ex II 2G, Ex de IIB T4 Gb.
IECEX Ex d:	Cert. no. IECEX BAS 10.0086X. Certified to: IEC60079-0, IEC60079-1. Ex d IIB T4 Gb.
IECEX Ex de:	Cert. no. IECEX BAS 10.0087X. Certified to: IEC60079-0, IEC60079-1, IEC60079-7. Ex de IIB T4 Gb.
CUTR Ex d:	1Ex d IIB T4 Gb. Russian Fire Alarm approved.
CUTR Ex de:	2Ex de IIB T4 Gb. Russian Fire Alarm approved.
Inmetro Ex d:	Ex d IIB T4 Gb.
Inmetro Ex de:	Ex de IIB T4 Gb.
Material:	Body: Glass reinforced polyester. Lens: Glass. Cover Screws + Bracket: Stainless steel 316.
Finish:	Natural black or painted to customer specification.
Weight:	Exd 2.8kg. Exde 3.6kg.
Certified Temp:	15J unit: Exd -55°C to +50°C. Exde -50°C to +50°C. 10J unit: Exd -55°C to +65°C. Exde -50°C to +65°C.
Ingress Protection:	IP66 & IP67.
Fire Retardancy:	GRP is fire retardant to ISO 1210.
Terminals:	4 x 2.5mm ² (d.c.), 6 x 2.5mm ² (a.c.).
Mounting:	Wall mounted via bracket.
Tube Life:	> 1x10 ⁶ flashes



Electrical Ratings:

Voltage	d.c.				a.c.			
	24	48	110	220/240/254	10	15	10	15
Tube Energy (J)	10	15	10	15	10	15	10	15
Peak Current	700	1200	300	560	190	300	100	145
Consumption (mA)								
Effective Intensity (Cd)	285	330	285	330	285	330	285	330
Peak Intensity (Cd)	74179	111269	74179	111269	74179	111269	74179	111269
Power Consumption (W)	16.8	28.8	14.4	26.8	20.9	33	24	34.8
Flash Rate	1Hz (other flash rates available on request, please specify).							

Note: The above figures (Cd) are for a clear lens @ 1Hz flash rate.

Entries: Up to 2 x M20 (Exd). Up to 3 x M20 (Exde).

Optional: 1 x 3m cable tail (both Exd & Exde).

Multiplying Factor for Coloured Lenses:

Red	Blue	Amber	Green	Yellow
0.15	0.12	0.51	0.49	0.86

The photometric data has been verified by BSI. A report is available if required.

Ordering Requirements

The following code is designed to help in selection of the correct unit. Build up the reference number by inserting the code for each component into the appropriate box.

Model	Certification	Voltage	Power	Lens Colour	Tag/Duty	Options	Entries	Finish																																																																																													
XB10																																																																																																					
<table border="1"> <thead> <tr> <th>Certification</th> <th>Code</th> </tr> </thead> <tbody> <tr><td>Uncertified</td><td>W</td></tr> <tr><td>Ex d</td><td>D</td></tr> <tr><td>Ex de</td><td>E</td></tr> <tr><td>IECEX Ex d</td><td>DJ</td></tr> <tr><td>IECEX Ex de</td><td>EJ</td></tr> <tr><td>CUTR Ex d</td><td>DG*</td></tr> <tr><td>CUTR Ex e</td><td>EG*</td></tr> <tr><td>Inmetro Exd</td><td>DM</td></tr> <tr><td>Inmetro Exde</td><td>EM</td></tr> </tbody> </table> <p>* Russian Fire Approval as standard.</p>		Certification	Code	Uncertified	W	Ex d	D	Ex de	E	IECEX Ex d	DJ	IECEX Ex de	EJ	CUTR Ex d	DG*	CUTR Ex e	EG*	Inmetro Exd	DM	Inmetro Exde	EM	<table border="1"> <thead> <tr> <th>Voltage</th> <th>Code</th> </tr> </thead> <tbody> <tr><td>24V d.c.</td><td>024</td></tr> <tr><td>48V d.c.</td><td>048</td></tr> <tr><td>110V a.c.</td><td>110</td></tr> <tr><td>220V a.c.</td><td>220</td></tr> <tr><td>240V a.c.</td><td>240</td></tr> <tr><td>254V a.c.</td><td>254</td></tr> </tbody> </table>		Voltage	Code	24V d.c.	024	48V d.c.	048	110V a.c.	110	220V a.c.	220	240V a.c.	240	254V a.c.	254	<table border="1"> <thead> <tr> <th>Lens Colour</th> <th>Code</th> </tr> </thead> <tbody> <tr><td>Red</td><td>R</td></tr> <tr><td>Blue</td><td>B</td></tr> <tr><td>Green</td><td>G</td></tr> <tr><td>Amber</td><td>A</td></tr> <tr><td>Yellow</td><td>Y</td></tr> <tr><td>Clear</td><td>C</td></tr> </tbody> </table>		Lens Colour	Code	Red	R	Blue	B	Green	G	Amber	A	Yellow	Y	Clear	C	<table border="1"> <thead> <tr> <th>Options</th> <th>Code</th> </tr> </thead> <tbody> <tr><td>Telephone Initiate</td><td>T</td></tr> <tr><td>Earth Continuity</td><td>E</td></tr> <tr><td>3m cable tail</td><td>G</td></tr> <tr><td>None</td><td>N</td></tr> </tbody> </table>		Options	Code	Telephone Initiate	T	Earth Continuity	E	3m cable tail	G	None	N	<table border="1"> <thead> <tr> <th>Entries</th> <th>Code</th> </tr> </thead> <tbody> <tr><td>Exd</td><td></td></tr> <tr><td>1 x M20</td><td>1B</td></tr> <tr><td>1 x PG13.5</td><td>1P</td></tr> <tr><td>2 x M20</td><td>2B</td></tr> <tr><td>2 x PG13.5</td><td>2P</td></tr> <tr><td>Exd(e)</td><td></td></tr> <tr><td>3 x M20</td><td>3B</td></tr> </tbody> </table>		Entries	Code	Exd		1 x M20	1B	1 x PG13.5	1P	2 x M20	2B	2 x PG13.5	2P	Exd(e)		3 x M20	3B	<table border="1"> <thead> <tr> <th>Finish</th> <th>Code</th> </tr> </thead> <tbody> <tr><td>Natural Black</td><td>N</td></tr> <tr><td>Red</td><td>R</td></tr> <tr><td>Blue</td><td>B</td></tr> <tr><td>Yellow</td><td>Y</td></tr> <tr><td>Grey</td><td>G</td></tr> <tr><td>White</td><td>W</td></tr> <tr><td>Special</td><td>S*</td></tr> </tbody> </table> <p>*Please specify.</p>		Finish	Code	Natural Black	N	Red	R	Blue	B	Yellow	Y	Grey	G	White	W	Special	S*
Certification	Code																																																																																																				
Uncertified	W																																																																																																				
Ex d	D																																																																																																				
Ex de	E																																																																																																				
IECEX Ex d	DJ																																																																																																				
IECEX Ex de	EJ																																																																																																				
CUTR Ex d	DG*																																																																																																				
CUTR Ex e	EG*																																																																																																				
Inmetro Exd	DM																																																																																																				
Inmetro Exde	EM																																																																																																				
Voltage	Code																																																																																																				
24V d.c.	024																																																																																																				
48V d.c.	048																																																																																																				
110V a.c.	110																																																																																																				
220V a.c.	220																																																																																																				
240V a.c.	240																																																																																																				
254V a.c.	254																																																																																																				
Lens Colour	Code																																																																																																				
Red	R																																																																																																				
Blue	B																																																																																																				
Green	G																																																																																																				
Amber	A																																																																																																				
Yellow	Y																																																																																																				
Clear	C																																																																																																				
Options	Code																																																																																																				
Telephone Initiate	T																																																																																																				
Earth Continuity	E																																																																																																				
3m cable tail	G																																																																																																				
None	N																																																																																																				
Entries	Code																																																																																																				
Exd																																																																																																					
1 x M20	1B																																																																																																				
1 x PG13.5	1P																																																																																																				
2 x M20	2B																																																																																																				
2 x PG13.5	2P																																																																																																				
Exd(e)																																																																																																					
3 x M20	3B																																																																																																				
Finish	Code																																																																																																				
Natural Black	N																																																																																																				
Red	R																																																																																																				
Blue	B																																																																																																				
Yellow	Y																																																																																																				
Grey	G																																																																																																				
White	W																																																																																																				
Special	S*																																																																																																				
		<table border="1"> <thead> <tr> <th>Power</th> <th>Code</th> </tr> </thead> <tbody> <tr><td>10J</td><td>T</td></tr> <tr><td>15J</td><td>F</td></tr> </tbody> </table>		Power	Code	10J	T	15J	F	<table border="1"> <thead> <tr> <th>Label</th> <th>Code</th> </tr> </thead> <tbody> <tr><td>None</td><td>N</td></tr> <tr><td>Yes</td><td>Y*</td></tr> </tbody> </table> <p>*Please specify wording.</p>		Label	Code	None	N	Yes	Y*																																																																																				
Power	Code																																																																																																				
10J	T																																																																																																				
15J	F																																																																																																				
Label	Code																																																																																																				
None	N																																																																																																				
Yes	Y*																																																																																																				