

Ex d(e), Weatherproof

AVAILABLE IN
STAINLESS STEEL



Introduction

These high output (21 Joule) beacons have been designed for use in potentially explosive atmospheres and harsh environmental conditions. The marine grade alloy or stainless steel enclosures are suitable for use offshore or onshore, where lightweight combined with corrosion resistance and strength is required.

Units can be painted to customer specification and fitted with identification labels.

Available with optional Exe terminal chamber.

Stainless steel, one of the most durable materials available on the market, is both hard wearing and corrosion resistant, increasing the life of products in harsh environments and therefore reducing maintenance costs.

Features

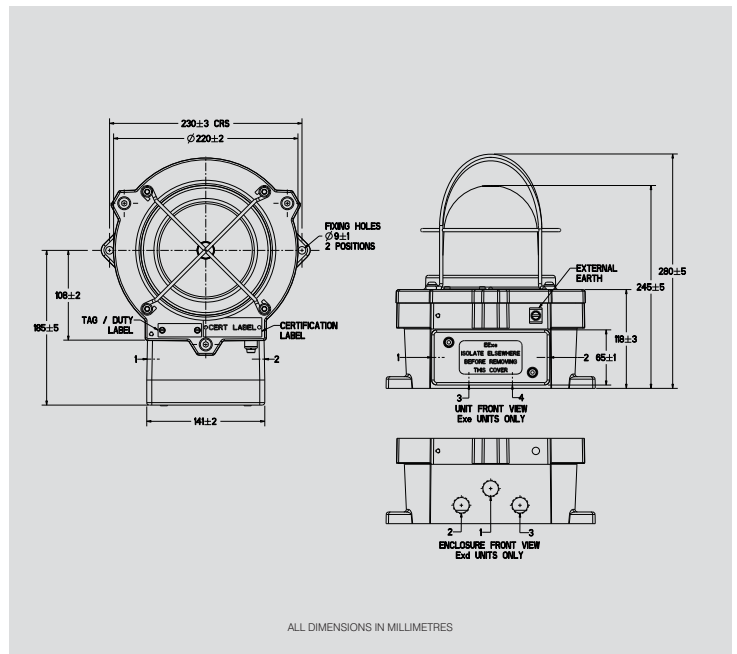
- Zone 1 and Zone 2 use.
- Ex d(e) IIC.
- ATEX approved Ex II 2GD.
- BASEEFA certified.
- IECEx certified Gb,Db.
- UL Listed for USA and Canada:
 - Hazardous locations:
 - Class I, Div 1, Groups C & D.
 - Class I, Zone 1, AExd IIB T4.
 - Ordinary locations: Visual-Signal Device.
- CUTR certified.
- Brazilian (Inmetro) certified.
- *Certified temperature: -55°C to +70°C.
- IP67 and IP66.
- Stainless steel or marine grade alloy.
- Various lens colours.
- Twin replaceable tubes.
- Exde version has gland earth continuity in the GRP terminal chamber.
- Tapered spigot flamepath.
- Telephone or relay initiated option.
- Optional lens guard.

**Depending on version.*



Certification and Specification

ATEX Ex d:	Cert. no. Baseefa 04ATEX0224X. Certified to: EN60079-0, EN60079-1, EN60079-31. Ex II 2GD, Ex d IIC T4/T5/T6 Gb. Ex tb IIIC T85°C/T100°C/T135°C Db.
ATEX Ex de:	Ex II 2G EEx de IIC.
IECEX Ex d:	Cert. no. IECEX BAS 10.0078X. Certified to: IEC60079-0, IEC60079-1, IEC60079-31. Ex II 2GD, Ex d IIC T4/T5/T6 Gb. Ex tb IIIC T85°C/T100°C/T135°C Db.
UL Haz Locs:	Listing no. E187894. Class I, Div 1, Groups C & D. Class I, Zones 1.
UL Ord Locs:	Listing no. S8128. Visual Signal Device.
CUTR Ex d:	1Ex II 2GD, Ex d IIC T4/T5/T6 Gb. Ex tb IIIC T85°C/T100°C/T135°C Db.
Inmetro Ex d:	Ex d IIC T4/T5/T6 Gb.
Inmetro Ex de:	Ex de IIC T4/T5/T6 Gb.
Material:	LM25TF Marine Grade Alloy body. Grade 316 ANC4B Stainless Steel body. Glass reinforced polyester (GRP) terminal chamber. Toughened Wellglass.
Finish:	Red epoxy paint finish as standard or to customer specification.
Certified Temp:	UL -25°C to +70°C. ATEX -50°C to +55°C (Ex de). ATEX, IECEX, CUTR & Inmetro. -55°C to +70°C (Ex d).
Weight:	Exd: 6.6kg. Exde: 7.6kg. Add 8.4kg for stainless steel version.
Entries:	Up to 3 x M20 or 2 x M25 ISO in Exd unit. Up to 4 x M20 or 4 x M25 ISO in Exe unit.
Terminals:	Exe: 6 off suitable for up to 6mm ² cable. Exd: 8 off suitable for up to 6mm ² cable.
Telephone initiation: or relay interface:	Initiation by telephone ringing tone or low voltage control signals, plus initiation of a second beacon or sounder.
Tube Life:	> 1x10 ⁶ flashes



Electrical Ratings:

	d.c.	a.c. 50/60Hz	
Voltage	24	110	240
Tube Energy (Joules)	21	21	21
Peak Current Consumption (mA)	1400	350	185
Effective Intensity (Cd)	355	355	355
Peak Intensity (Cd)	123691	123691	123691

NOTE: The above figures (Cd) are for a clear lens @ 1Hz flash rate.

Multiplying Factor for Coloured Lenses.

Red	Blue	Amber	Green	Yellow
0.15	0.12	0.51	0.49	0.86

The photometric data given above has been verified by BSI. Reports are available if required.

Ordering Requirements

The following code is designed to help in selection of the correct unit. Build up the reference number by inserting the code for each component into the appropriate box.

Model	Certification	Voltage	Terminals	Entries	Flashrate	Options	Guard	Lens Colour	Tag/Duty	Material	Finish																																																										
XB4																																																																					
<table border="1"> <thead> <tr> <th>Certification</th> <th>Code</th> </tr> </thead> <tbody> <tr><td>ATEX</td><td>B</td></tr> <tr><td>IECEX</td><td>J</td></tr> <tr><td>UL</td><td>UL*</td></tr> <tr><td>UL (ordinary location)</td><td>UW</td></tr> <tr><td>CUTR Ex d</td><td>G†</td></tr> <tr><td>Inmetro</td><td>M</td></tr> </tbody> </table> <p>* UL - available alloy or stainless steel. - 24v d.c., 110v a.c., - 240v a.c. only. † Russian Fire Approval as standard.</p>		Certification	Code	ATEX	B	IECEX	J	UL	UL*	UL (ordinary location)	UW	CUTR Ex d	G†	Inmetro	M	<table border="1"> <thead> <tr> <th>Terminals</th> <th>Type</th> </tr> </thead> <tbody> <tr><td>6 x 6mm² (Exe)</td><td>6E*</td></tr> <tr><td>8 x 6mm² (Exd)</td><td>8D</td></tr> </tbody> </table> <p>* IECEX, UL and CUTR not available Exe.</p>		Terminals	Type	6 x 6mm ² (Exe)	6E*	8 x 6mm ² (Exd)	8D	<table border="1"> <thead> <tr> <th>Flashrate</th> <th>Code</th> </tr> </thead> <tbody> <tr><td>60 / min</td><td>06</td></tr> <tr><td>120 / min</td><td>12</td></tr> <tr><td>240 / min</td><td>24</td></tr> </tbody> </table>		Flashrate	Code	60 / min	06	120 / min	12	240 / min	24	<table border="1"> <thead> <tr> <th>Guard</th> <th>Code</th> </tr> </thead> <tbody> <tr><td>None</td><td>N</td></tr> <tr><td>Yes</td><td>Y</td></tr> </tbody> </table>		Guard	Code	None	N	Yes	Y	<table border="1"> <thead> <tr> <th>Label</th> <th>Code</th> </tr> </thead> <tbody> <tr><td>None</td><td>N</td></tr> <tr><td>Yes</td><td>Y*</td></tr> </tbody> </table> <p>* Please specify wording.</p>		Label	Code	None	N	Yes	Y*	<table border="1"> <thead> <tr> <th>Finish</th> <th>Code</th> </tr> </thead> <tbody> <tr><td>Red</td><td>R</td></tr> <tr><td>Blue</td><td>B</td></tr> <tr><td>Yellow</td><td>Y</td></tr> <tr><td>Grey</td><td>G</td></tr> <tr><td>White</td><td>W</td></tr> <tr><td>Other</td><td>S*</td></tr> </tbody> </table> <p>* Please specify.</p>		Finish	Code	Red	R	Blue	B	Yellow	Y	Grey	G	White	W	Other	S*				
Certification	Code																																																																				
ATEX	B																																																																				
IECEX	J																																																																				
UL	UL*																																																																				
UL (ordinary location)	UW																																																																				
CUTR Ex d	G†																																																																				
Inmetro	M																																																																				
Terminals	Type																																																																				
6 x 6mm ² (Exe)	6E*																																																																				
8 x 6mm ² (Exd)	8D																																																																				
Flashrate	Code																																																																				
60 / min	06																																																																				
120 / min	12																																																																				
240 / min	24																																																																				
Guard	Code																																																																				
None	N																																																																				
Yes	Y																																																																				
Label	Code																																																																				
None	N																																																																				
Yes	Y*																																																																				
Finish	Code																																																																				
Red	R																																																																				
Blue	B																																																																				
Yellow	Y																																																																				
Grey	G																																																																				
White	W																																																																				
Other	S*																																																																				
<table border="1"> <thead> <tr> <th>Voltage</th> <th>Code</th> </tr> </thead> <tbody> <tr><td>24V d.c.</td><td>B</td></tr> <tr><td>48V d.c.</td><td>C</td></tr> <tr><td>110V d.c.</td><td>D</td></tr> <tr><td>110V a.c.</td><td>E</td></tr> <tr><td>120V a.c.</td><td>F</td></tr> <tr><td>220V a.c.</td><td>G</td></tr> <tr><td>240V a.c.</td><td>H</td></tr> <tr><td>254V a.c.</td><td>J</td></tr> </tbody> </table>		Voltage	Code	24V d.c.	B	48V d.c.	C	110V d.c.	D	110V a.c.	E	120V a.c.	F	220V a.c.	G	240V a.c.	H	254V a.c.	J	<table border="1"> <thead> <tr> <th>Entries</th> <th>Code</th> </tr> </thead> <tbody> <tr><td>M20</td><td>*B</td></tr> <tr><td>M25</td><td>*C</td></tr> <tr><td>1/2" NPT</td><td>*D</td></tr> <tr><td>3/4" NPT</td><td>*E</td></tr> </tbody> </table> <p>* Prefix entry size (see diagram above) with entry position code e.g. 1B2B.</p>		Entries	Code	M20	*B	M25	*C	1/2" NPT	*D	3/4" NPT	*E	<table border="1"> <thead> <tr> <th>Options</th> <th>Code</th> </tr> </thead> <tbody> <tr><td>None</td><td>A</td></tr> <tr><td>Telephone</td><td>B</td></tr> <tr><td>Telephone & 2nd Beacon/Sounder</td><td>C</td></tr> <tr><td>Relay (12V-48VAC/DC)</td><td>D*</td></tr> <tr><td>Relay (12V-48VAC/DC) & 2nd Beacon/Sounder</td><td>E*</td></tr> </tbody> </table> <p>* Specify a.c./d.c. voltage.</p>		Options	Code	None	A	Telephone	B	Telephone & 2nd Beacon/Sounder	C	Relay (12V-48VAC/DC)	D*	Relay (12V-48VAC/DC) & 2nd Beacon/Sounder	E*	<table border="1"> <thead> <tr> <th>Lens Colour</th> <th>Code</th> </tr> </thead> <tbody> <tr><td>Red</td><td>R</td></tr> <tr><td>Blue</td><td>B</td></tr> <tr><td>Green</td><td>G</td></tr> <tr><td>Yellow</td><td>Y</td></tr> <tr><td>Amber</td><td>A</td></tr> <tr><td>Clear</td><td>C</td></tr> </tbody> </table>		Lens Colour	Code	Red	R	Blue	B	Green	G	Yellow	Y	Amber	A	Clear	C	<table border="1"> <thead> <tr> <th>Material</th> <th>Code</th> </tr> </thead> <tbody> <tr><td>Alloy</td><td>1</td></tr> <tr><td>Stainless Steel</td><td>0</td></tr> </tbody> </table>		Material	Code	Alloy	1	Stainless Steel	0
Voltage	Code																																																																				
24V d.c.	B																																																																				
48V d.c.	C																																																																				
110V d.c.	D																																																																				
110V a.c.	E																																																																				
120V a.c.	F																																																																				
220V a.c.	G																																																																				
240V a.c.	H																																																																				
254V a.c.	J																																																																				
Entries	Code																																																																				
M20	*B																																																																				
M25	*C																																																																				
1/2" NPT	*D																																																																				
3/4" NPT	*E																																																																				
Options	Code																																																																				
None	A																																																																				
Telephone	B																																																																				
Telephone & 2nd Beacon/Sounder	C																																																																				
Relay (12V-48VAC/DC)	D*																																																																				
Relay (12V-48VAC/DC) & 2nd Beacon/Sounder	E*																																																																				
Lens Colour	Code																																																																				
Red	R																																																																				
Blue	B																																																																				
Green	G																																																																				
Yellow	Y																																																																				
Amber	A																																																																				
Clear	C																																																																				
Material	Code																																																																				
Alloy	1																																																																				
Stainless Steel	0																																																																				

All specifications, dimensions, weights and tolerances are nominal (typical) and MEDC reserve the right to vary all data without prior notice. No liability is accepted for any consequence of use.

