

Ex d, Weatherproof



Features

- Zone 1 and Zone 2 use.
- Ex d IIC T5/T6.
- ATEX approved, Ex II 2G.
- IECEx certified Gb.
- BASEEFA certified.
- CUTR certified.
- Chinese (CQST) certified.
- Brazilian (Inmetro) certified.
- IP66 and IP67.
- Certified Temperature: -55°C to +55°C.
- Corrosion Free GRP.
- Various lens colours.
- Lens guard fitted as standard.
- Optional gland plus cable tail.
- Stainless steel mounting bracket & screws.
- Replaceable tube.

Introduction

These compact and lightweight beacons have been designed for use in potentially explosive atmospheres and harsh environmental conditions. The beacon housing, including the flamepaths, is manufactured completely from a UV stable glass reinforced polyester which is ideally suited for use offshore and onshore.

Stainless Steel screws and mounting bracket are incorporated ensuring a totally corrosion free unit.

Units can be painted to customer specification and supplied with identification labels.



Certification and Specification

ATEX Ex d:	Cert. no. Baseefa 04ATEX2031. Certified to: EN60079-0, EN60079-1. Ex II 2G, Ex d IIC T5/T6 Gb.
IECEX Ex d:	Cert. no. IECEX BAS 10.0113. Certified to: IEC60079-0, IEC60079-1. Ex d IIC T5/T6 Gb.
CUTR Ex d:	1Ex d IIC T5/T6 Gb.
Inmetro Ex d:	Ex d IIC T5/T6 Gb.
CQST Ex d:	Ex d IIC T5/T6 Gb.
Material:	Body & Cover: Glass Reinforced Polyester (GRP). Lens: Toughened Glass. Cover Screws & Bracket: Stainless Steel 316.
Finish:	Natural black or painted to customer specification.
Weight:	1.6kg.
Certified Temp:	-55°C to +40°C (T6). -55°C to +55°C (T5).
Ingress Protection:	IP66 & IP67.
Fire Retardancy:	GRP is fire retardant to ISO 1210.
Terminals:	3 x 2.5mm ² .
Mounting:	Wall mounted via bracket.
Entries:	1 x M20 or PG 13.5.
Optional:	1 x 3m cable tail and gland.
Tube Life:	> 1x10 ⁶ flashes

Electrical Ratings:

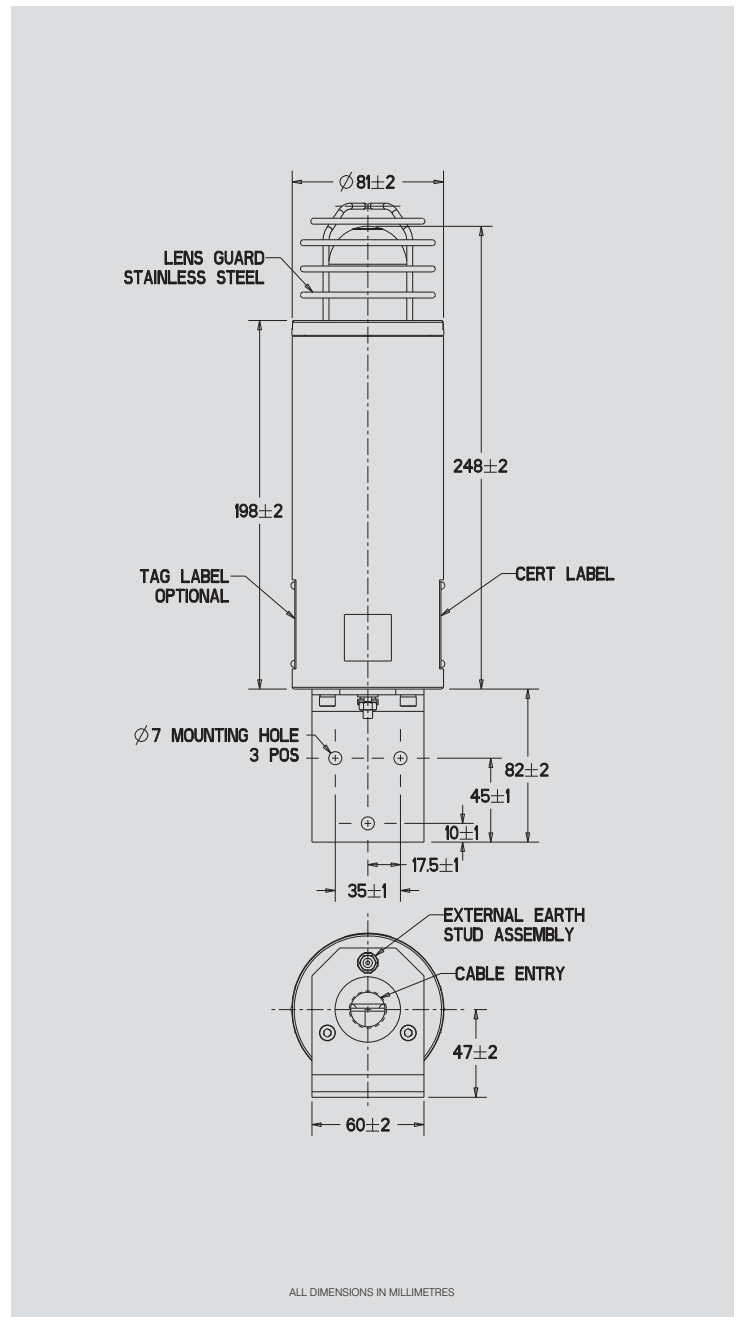
	d.c.			a.c.	
	12	24	48	110	240/254
Tube Energy (J)	5	5	5	5	5
Peak Current Consumption (A)	0.74	0.32	0.18	0.1	0.06
Effective Intensity (Cd)	29	29	29	29	29
Peak Intensity (Cd)	22213	22213	22213	22213	22213
Power Consumption (W)	9	8	9	11	15

Note: The above figures (Cd) are for a clear lens @ 1Hz flash rate.

Multiplying Factor for Coloured Lenses:

Red	Blue	Amber	Green	Yellow
0.15	0.12	0.51	0.49	0.86

The photometric data has been verified by BSI. A report is available if required.



Ordering Requirements

The following code is designed to help in selection of the correct unit. Build up the reference number by inserting the code for each component into the appropriate box.

Model	Certification	Voltage	Flashrate	Lens Colour	Lens Guard	Tag / Duty	Entries / Cable Tail	Finish																																																																																		
XB9					Y																																																																																					
	<table border="1"> <thead> <tr> <th>Certification</th> <th>Code</th> </tr> </thead> <tbody> <tr><td>Uncertified</td><td>W</td></tr> <tr><td>Exd</td><td>D</td></tr> <tr><td>IECEX</td><td>J</td></tr> <tr><td>CUTR</td><td>G</td></tr> <tr><td>Chinese (CQST)</td><td>Q</td></tr> <tr><td>Inmetro</td><td>DM</td></tr> </tbody> </table>	Certification	Code	Uncertified	W	Exd	D	IECEX	J	CUTR	G	Chinese (CQST)	Q	Inmetro	DM	<table border="1"> <thead> <tr> <th>Voltage</th> <th>Code</th> </tr> </thead> <tbody> <tr><td>12V d.c.</td><td>012</td></tr> <tr><td>24V d.c.</td><td>024</td></tr> <tr><td>48V d.c.</td><td>048</td></tr> <tr><td>110V a.c.</td><td>110</td></tr> <tr><td>240V a.c.</td><td>240</td></tr> <tr><td>254V a.c.</td><td>254</td></tr> </tbody> </table>	Voltage	Code	12V d.c.	012	24V d.c.	024	48V d.c.	048	110V a.c.	110	240V a.c.	240	254V a.c.	254	<table border="1"> <thead> <tr> <th>Flashrate</th> <th>Code</th> </tr> </thead> <tbody> <tr><td>60 / min</td><td>06</td></tr> </tbody> </table>	Flashrate	Code	60 / min	06	<table border="1"> <thead> <tr> <th>Lens Colour</th> <th>Code</th> </tr> </thead> <tbody> <tr><td>Red</td><td>R</td></tr> <tr><td>Blue</td><td>B</td></tr> <tr><td>Green</td><td>G</td></tr> <tr><td>Amber</td><td>A</td></tr> <tr><td>Yellow</td><td>Y</td></tr> <tr><td>Clear</td><td>C</td></tr> </tbody> </table>	Lens Colour	Code	Red	R	Blue	B	Green	G	Amber	A	Yellow	Y	Clear	C	<table border="1"> <thead> <tr> <th>Guard</th> <th>Code</th> </tr> </thead> <tbody> <tr><td>Yes</td><td>Y</td></tr> </tbody> </table>	Guard	Code	Yes	Y	<table border="1"> <thead> <tr> <th>Label</th> <th>Code</th> </tr> </thead> <tbody> <tr><td>None</td><td>N</td></tr> <tr><td>Yes</td><td>Y*</td></tr> </tbody> </table> <p>* Please specify wording.</p>	Label	Code	None	N	Yes	Y*	<table border="1"> <thead> <tr> <th>Entries</th> <th>Code</th> </tr> </thead> <tbody> <tr><td>1 x M20</td><td>1B</td></tr> <tr><td>1 x PG 13.5</td><td>1P</td></tr> <tr><td>Cable & Tail</td><td></td></tr> <tr><td>3m cable</td><td>CB</td></tr> </tbody> </table>	Entries	Code	1 x M20	1B	1 x PG 13.5	1P	Cable & Tail		3m cable	CB	<table border="1"> <thead> <tr> <th>Finish</th> <th>Code</th> </tr> </thead> <tbody> <tr><td>Natural Black</td><td>N</td></tr> <tr><td>Red</td><td>R</td></tr> <tr><td>Blue</td><td>B</td></tr> <tr><td>Yellow</td><td>Y</td></tr> <tr><td>Grey</td><td>G</td></tr> <tr><td>White</td><td>W</td></tr> <tr><td>Special</td><td>S*</td></tr> </tbody> </table> <p>* Please specify.</p>	Finish	Code	Natural Black	N	Red	R	Blue	B	Yellow	Y	Grey	G	White	W	Special	S*
Certification	Code																																																																																									
Uncertified	W																																																																																									
Exd	D																																																																																									
IECEX	J																																																																																									
CUTR	G																																																																																									
Chinese (CQST)	Q																																																																																									
Inmetro	DM																																																																																									
Voltage	Code																																																																																									
12V d.c.	012																																																																																									
24V d.c.	024																																																																																									
48V d.c.	048																																																																																									
110V a.c.	110																																																																																									
240V a.c.	240																																																																																									
254V a.c.	254																																																																																									
Flashrate	Code																																																																																									
60 / min	06																																																																																									
Lens Colour	Code																																																																																									
Red	R																																																																																									
Blue	B																																																																																									
Green	G																																																																																									
Amber	A																																																																																									
Yellow	Y																																																																																									
Clear	C																																																																																									
Guard	Code																																																																																									
Yes	Y																																																																																									
Label	Code																																																																																									
None	N																																																																																									
Yes	Y*																																																																																									
Entries	Code																																																																																									
1 x M20	1B																																																																																									
1 x PG 13.5	1P																																																																																									
Cable & Tail																																																																																										
3m cable	CB																																																																																									
Finish	Code																																																																																									
Natural Black	N																																																																																									
Red	R																																																																																									
Blue	B																																																																																									
Yellow	Y																																																																																									
Grey	G																																																																																									
White	W																																																																																									
Special	S*																																																																																									

Other flash rates available on request, please specify.

All specifications, dimensions, weights and tolerances are nominal (typical) and MEDC reserve the right to vary all data without prior notice. No liability is accepted for any consequence of use.



6DS098/Q 01/14