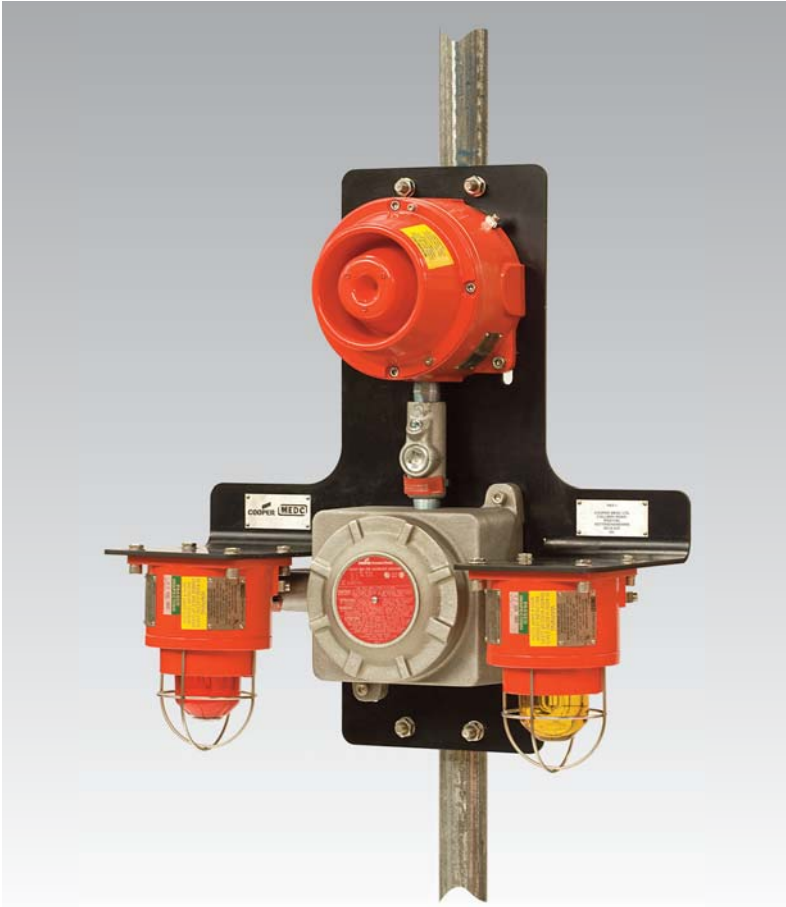


Class 1, Division 1



Introduction

The PAS1 audio/visual combination unit is fully factory assembled from Cooper MEDC's range of beacons and sounders. Mounted on a sturdy, drilled anodized aluminum back plate, the stainless steel U bolts attach the unit to a 2 inch pole.

The robust, marine grade aluminum Junction Box can house a variety of user selectable wiring options and ensures a corrosion resistant unit.

Designed for use in hazardous locations and harsh environmental conditions, it is typically used within gas detection systems for the land drilling industry and the oilfield services market.

It's portable, compact and lightweight facilitating quick, effective and simple installation across a wide range of locations.

Features

- UL listed products for the USA
Hazardous locations:
Class 1, Div. 1, Groups C & D.
- NEMA 4X.
- IP66
- Certified temperature:
13°F to + 140°F
25°C to + 60°C†
- 110Vac.
- Corrosion resistant.
- Explosion-proof.
- Marine grade aluminum.
- Lightweight, compact footprint.
- Fully factory assembled.
- Variety of wiring options
Standard relay.
No relay.
Special Relay.*
- 2" pole mountable.
- 2 x SM87HXB Xenon Beacons.
- 60 flashes per minute.
- Various lens colors.
- Wire lens guard.
- 1 x DB1 Sounder.
- Up to 103dB(A) output.

† *Model Dependent*

* *Consult MEDC sales for special requirements.*



PAS1 Specification

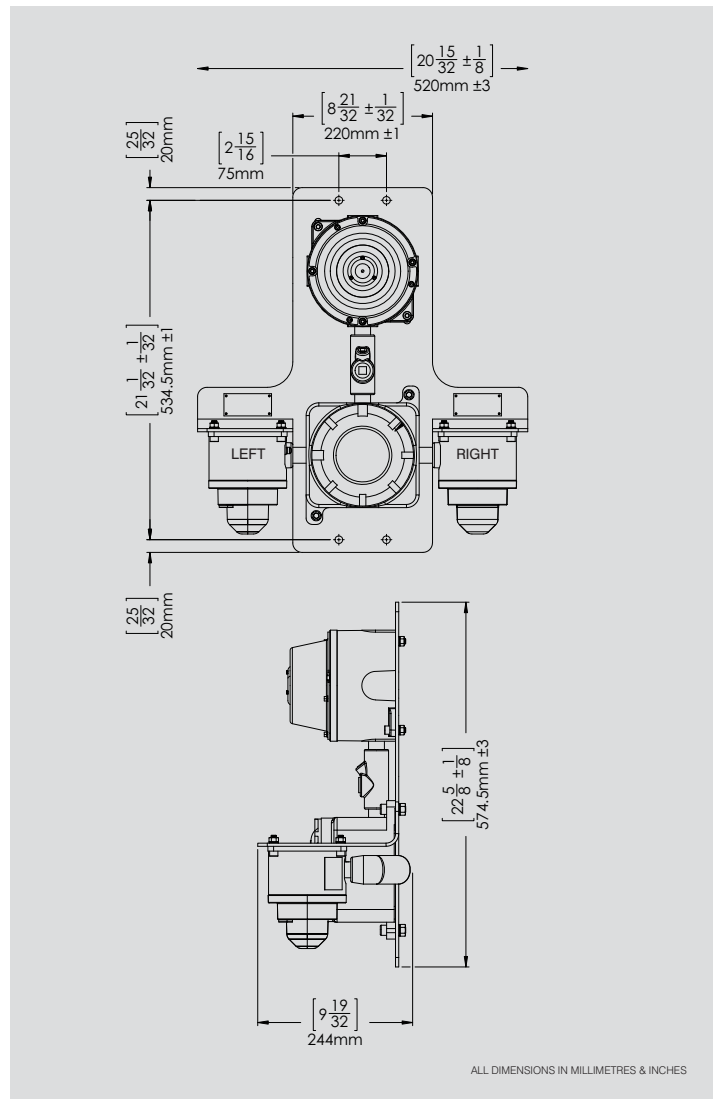
Certification:	UL Listed for USA - Hazardous locations Class 1, Div 1, Groups C & D. UL Listing No's. E187894, E187688
Material:	Beacon and Sounder: Marine Grade Aluminum LM25 Junction Box: Marine Grade Aluminum Back Plate: Anodized Aluminum U-Bolts: Stainless Steel
Certified Temp:	-13°F to +140°F (-25°C to + 60°C)* *Model dependent
Voltage:	110Vac
Weight:	39lbs (17.6kg)
Ingress Protection:	NEMA 4x. IP66
Entries:	1 x 3/4" NPT

Strobe

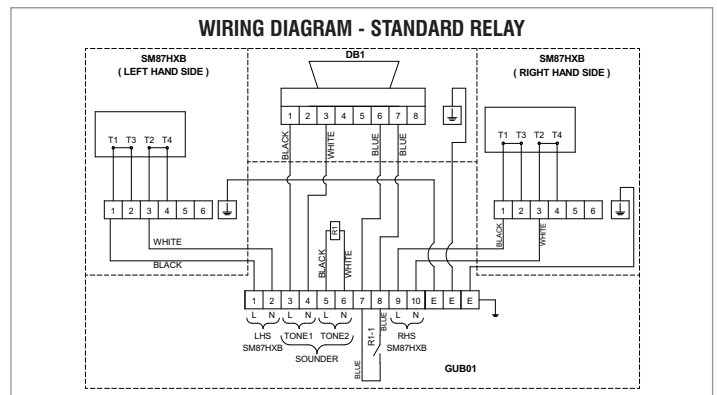
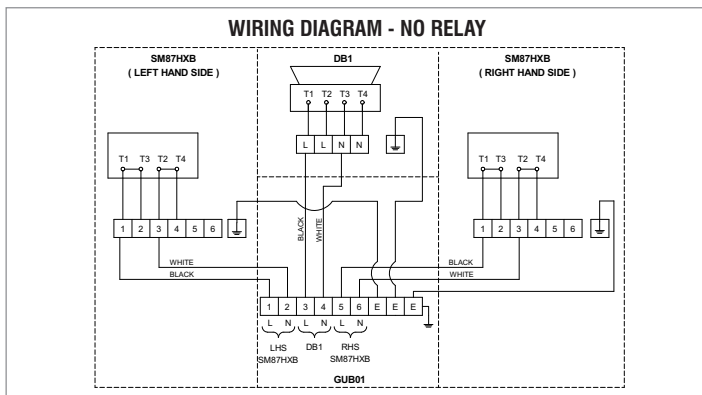
Unit:	SM87HXB AUL110*Y4RNNR *Lens color can be specified
Material:	Body: Marine Grade Aluminum, LM25 Guard: Stainless Steel Lens: Toughened Glass
Finish:	Painted Red
Current Consumption:	250mA @ 110Vac
Tube Energy:	5 Joules
Tube Life:	> 1 x 10 ⁶
Lens Multiplying Factor:	Red: 0.15 Yellow: 0.86

Horn

Unit:	DB1PULA110D1NNSR
Material:	Body: Marine Grade Aluminum LM25 Flare: ABS.
Finish:	Painted Red.
Current Consumption:	60mA @ 110Vac.
Output:	DB1(P) 103 ± 3dB (A) at 1 meter.
Std Relay:	Programmed for the following tones*: - Alt Tones 800/970Hz & 7/8Hz, (Tone 11). - Continuous 660Hz, (Tone 19).
No Relay:	- 27 tones selectable via DP switch. *Please contact MEDC sales if different tones are required.



ALL DIMENSIONS IN MILLIMETRES & INCHES



Ordering Requirements

The following code is designed to help in selection of the correct unit. Build up the reference number by inserting the code for each component into the appropriate box.

Model	Certification	Voltage	Wiring	Left Lens	Right Lens																																				
PAS1	UL	110																																							
			<table border="1"> <tr> <th>Wiring</th> <th>Code</th> </tr> <tr> <td>No relay</td> <td>N*</td> </tr> <tr> <td>Standard Relay</td> <td>R*</td> </tr> <tr> <td>Special Relay</td> <td>S†</td> </tr> </table>	Wiring	Code	No relay	N*	Standard Relay	R*	Special Relay	S†	<table border="1"> <tr> <th>Color</th> <th>Code</th> </tr> <tr> <td>Red</td> <td>R</td> </tr> <tr> <td>Yellow</td> <td>Y</td> </tr> <tr> <td>Blue</td> <td>B</td> </tr> <tr> <td>Amber</td> <td>A</td> </tr> <tr> <td>Green</td> <td>G</td> </tr> <tr> <td>Clear</td> <td>C</td> </tr> </table>	Color	Code	Red	R	Yellow	Y	Blue	B	Amber	A	Green	G	Clear	C	<table border="1"> <tr> <th>Color</th> <th>Code</th> </tr> <tr> <td>Red</td> <td>R</td> </tr> <tr> <td>Yellow</td> <td>Y</td> </tr> <tr> <td>Blue</td> <td>B</td> </tr> <tr> <td>Amber</td> <td>A</td> </tr> <tr> <td>Green</td> <td>G</td> </tr> <tr> <td>Clear</td> <td>C</td> </tr> </table>	Color	Code	Red	R	Yellow	Y	Blue	B	Amber	A	Green	G	Clear	C
Wiring	Code																																								
No relay	N*																																								
Standard Relay	R*																																								
Special Relay	S†																																								
Color	Code																																								
Red	R																																								
Yellow	Y																																								
Blue	B																																								
Amber	A																																								
Green	G																																								
Clear	C																																								
Color	Code																																								
Red	R																																								
Yellow	Y																																								
Blue	B																																								
Amber	A																																								
Green	G																																								
Clear	C																																								
			<p>*: Consult the Wiring Diagram †: Contact MEDC sales department for special requirements</p>																																						