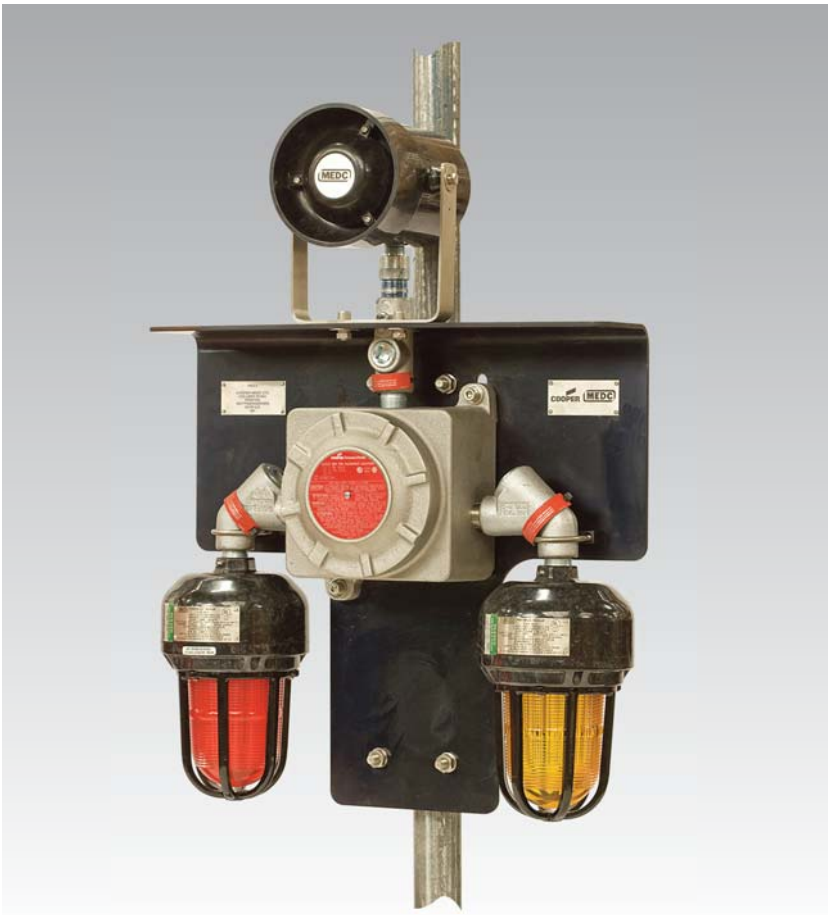


Class 1, Division 2



Introduction

The PAS2 audio/visual combination unit is fully factory assembled from Cooper MEDC's range of beacons and sounders. Mounted on a sturdy, drilled anodized aluminum back plate, the stainless steel U bolts attach the unit to a 2 inch pole.

The robust, marine grade aluminum Junction Box can house a variety of user selectable wiring options and ensures a corrosion resistant unit.

Designed for use in hazardous locations and harsh environmental conditions, it is typically used within gas detection systems for the land drilling industry and the oilfield services market.

It's portable, compact and lightweight facilitating quick, effective and simple installation across a wide range of locations.

Features

- UL listed products for the USA and Canada
Hazardous locations:
Class 1, Div. 2, Groups B, C & D.
Class 1, Zone 1. AExd IIC T4.
- NEMA 4X & 6.
- IP66 & IP67.
- Certified temperature:
-58°F to + 131°F
-50°C to + 55°C
- 110Vac.
- Corrosion resistant.
- Glass Reinforced Polyester.
- Lightweight, compact footprint.
- Fully factory assembled.
- Variety of wiring options:
Standard relay.
No relay.
Special Relay.*
- 2" pole mountable.
- 2 x XB15 Xenon Beacons.
- 60 flashes per minute.
- Various lens colors.
- Cast lens guard.
- 1 x DB3 Sounder.
- Up to 108dB(A) output.

* Consult MEDC sales for special requirements.



PAS2 Certification and Specification

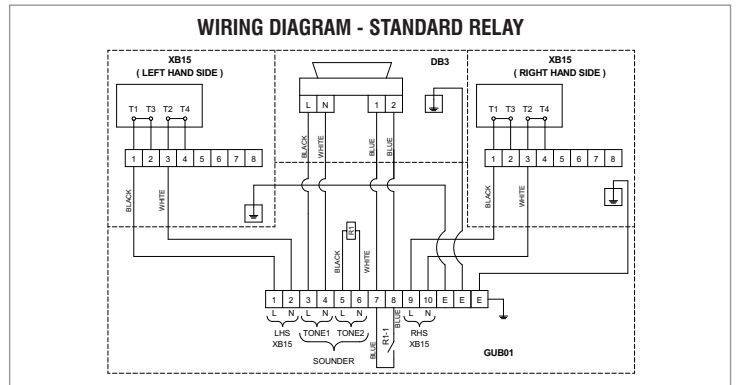
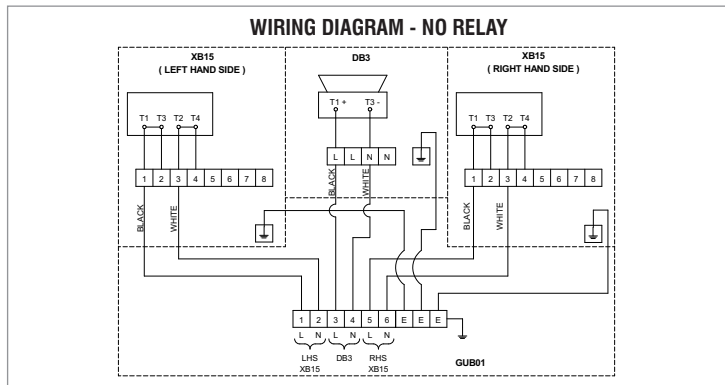
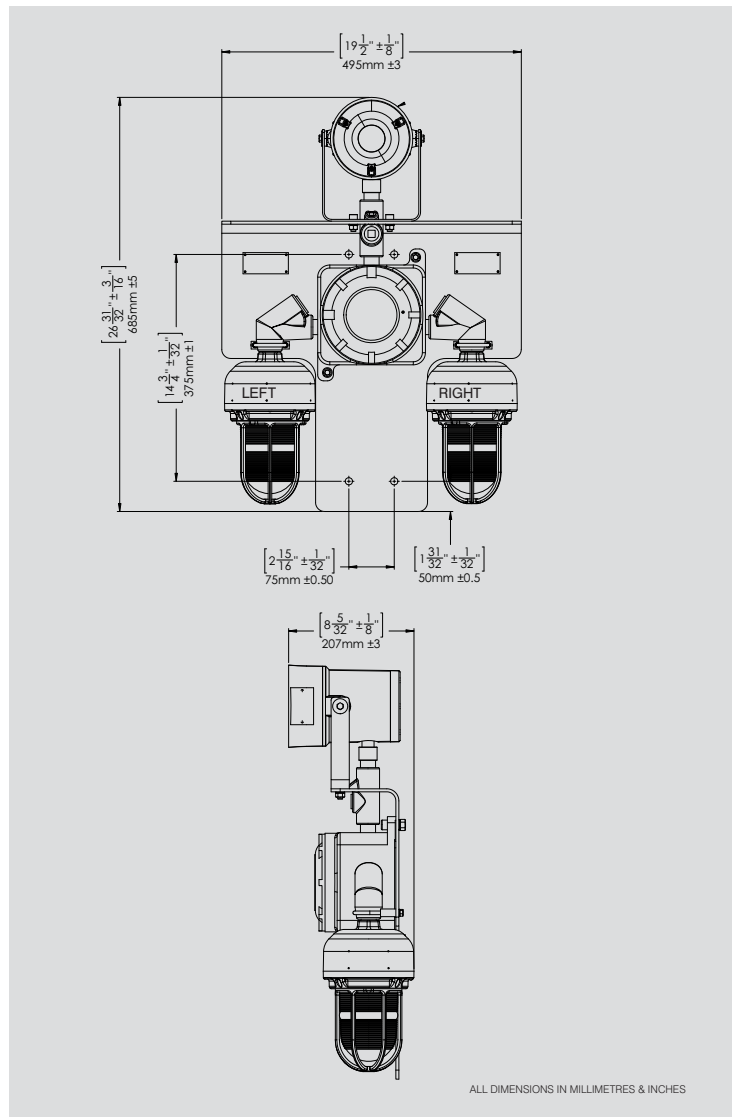
Certification:	UL Listed for USA and Canada: - Hazardous locations Class 1, Div 2, Groups B,C & D. Class 1, Zone 1, AExd IIC T4. UL Listing No's. E187894, E203310.
Material:	Beacon and Sounder: Glass Reinforced Polyester Junction Box: Marine Grade Aluminum Back Plate: Anodized Aluminum U-Bolts: Stainless Steel
Certified Temp:	-58°F to +131°F (-50°C to +55°C)
Voltage:	110Vac
Weight:	39lbs (17.6kg)
Ingress Protection:	NEMA 4x & 6, IP66 & IP67
Entries:	1 x 3/4" NPT

Strobe

Unit:	XB15UL11006*CPNN	*Lens color to be specified
Material:	Body: Glass Reinforced Polyester Guard: Cast Aluminum (LM25) Lens: Glass	
Finish:	Natural Black	
Current Consumption:	400mA at 110V a.c.	
Tube Energy:	15 Joules	
Tube Life:	> 1 x 10 ⁶ Flashes	
Lens Multiplying Factor:	Red: 0.15 Yellow: 0.86	

Horn

Unit:	DB3PUL110N1CSNZ Z = Short Flare
Material:	Body: Glass Reinforced Polyester Bracket: Stainless Steel
Finish:	Natural Black
Current Consumption:	124mA at 110V a.c.
Output:	108 ± 3dB(A) Typical at 1 meter (tone dependent)
Std Relay:	Programmed for the following tones*: - Alt Tones 800/970Hz & 7/8Hz, (Tone 11). - Continuous 660Hz, (Tone 19). - 27 tones selectable via DP switch.
No Relay:	*Please contact MEDC sales if different tones are required.



Ordering Requirements

The following code is designed to help in selection of the correct unit. Build up the reference number by inserting the code for each component into the appropriate box.

Model	Certification	Voltage	Wiring	Left Lens	Right Lens																																				
PAS2	UL	110																																							
			<table border="1"> <tr> <th>Wiring</th> <th>Code</th> </tr> <tr> <td>No relay</td> <td>N*</td> </tr> <tr> <td>Standard Relay</td> <td>R*</td> </tr> <tr> <td>Special Relay</td> <td>S†</td> </tr> </table>	Wiring	Code	No relay	N*	Standard Relay	R*	Special Relay	S†	<table border="1"> <tr> <th>Color</th> <th>Code</th> </tr> <tr> <td>Red</td> <td>R</td> </tr> <tr> <td>Yellow</td> <td>Y</td> </tr> <tr> <td>Blue</td> <td>B</td> </tr> <tr> <td>Amber</td> <td>A</td> </tr> <tr> <td>Green</td> <td>G</td> </tr> <tr> <td>Clear</td> <td>C</td> </tr> </table>	Color	Code	Red	R	Yellow	Y	Blue	B	Amber	A	Green	G	Clear	C	<table border="1"> <tr> <th>Color</th> <th>Code</th> </tr> <tr> <td>Red</td> <td>R</td> </tr> <tr> <td>Yellow</td> <td>Y</td> </tr> <tr> <td>Blue</td> <td>B</td> </tr> <tr> <td>Amber</td> <td>A</td> </tr> <tr> <td>Green</td> <td>G</td> </tr> <tr> <td>Clear</td> <td>C</td> </tr> </table>	Color	Code	Red	R	Yellow	Y	Blue	B	Amber	A	Green	G	Clear	C
Wiring	Code																																								
No relay	N*																																								
Standard Relay	R*																																								
Special Relay	S†																																								
Color	Code																																								
Red	R																																								
Yellow	Y																																								
Blue	B																																								
Amber	A																																								
Green	G																																								
Clear	C																																								
Color	Code																																								
Red	R																																								
Yellow	Y																																								
Blue	B																																								
Amber	A																																								
Green	G																																								
Clear	C																																								
			<p>*: Consult the Wiring Diagram †: Contact MEDC sales department for special requirements</p>																																						