

Ex de, Intrinsically Safe (Ex ia), Weatherproof PB Range



Introduction

These new and improved manual alarm call points have been designed for use in hazardous locations and harsh environmental conditions. The GRP enclosure is suitable for use onshore or offshore where light weight combined with a high level of corrosion resistance is required. The unit is now supplied with a lift flap that latches firmly in place.

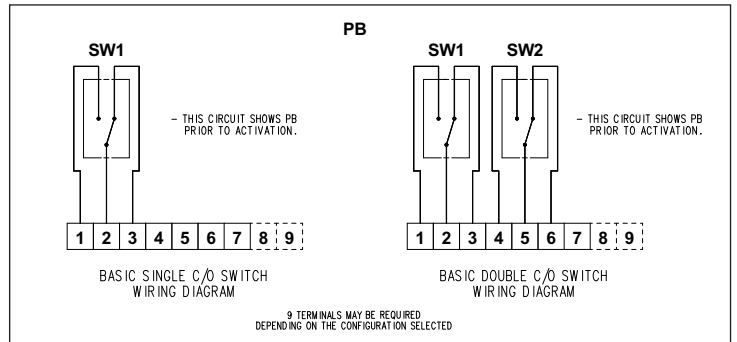
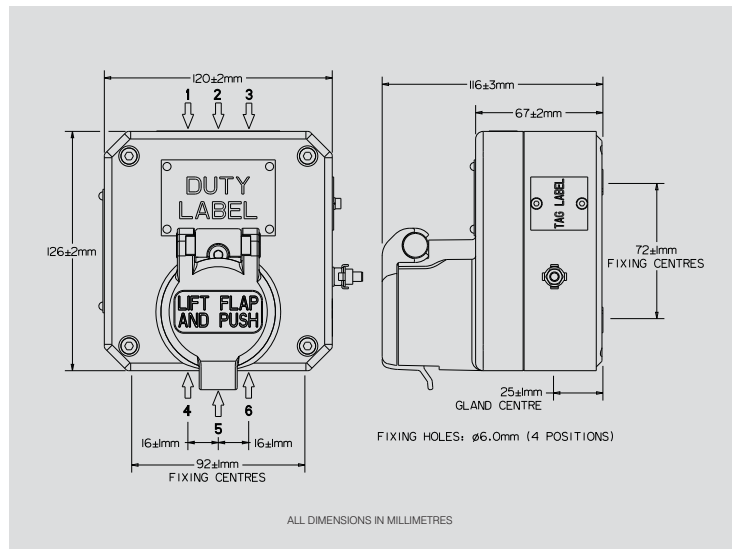
Features

- ATEX certified.
- IECEx certified.
- UL listed for Haz locs.
- UL listing for Ord locs.
- CTR certified.
- Chinese (CQST) certified.
- Brazilian (Inmetro) certified.
- SIL 2 pending. (Contact MEDC for details).
- IP66 and IP67.
- Corrosion free GRP construction.
- A variety of colours available.
- Up to 9 terminals available.
- Optional LED – indicates that the unit has been operated.
- Earth continuity option for metal glands.
- 1 or 2 changeover switches.
- Captive cover screws.
- Lift Flap as standard.
- Latching as standard. Self reset (momentary) available.



Certification and Specification

ATEX Ex de:	Cert. no. BAS02ATEX2105X. ATEX Approved Ex II 2GD. EN60079-0, EN60079-1, EN60079-7, EN60079-31. Ex de IIC T6 Gb, Ex tb IIIC T85°C Db switch only. Ex de mb IIC T6 Gb, Ex tb IIIC T85°C Db with LED. Ex de mb IIC T4 Gb, Ex tb IIIC T135°C Db with resistors & diodes.
ATEX Ex ia:	Cert no. Baseefa 03ATEX0084X. ATEX Approved Ex II 1GD Certified to: EN60079-0, EN60079-11. Ex ia IIC T4 Ga, Ex ia IIIC T135°C Da.
IECEX Ex ia:	Cert. no. IECEX BAS 12.0093X. Certified to: IEC 60079-0, IEC 60079-11. Ex ia IIC T4 Ga, Ex ia IIIC T135°C Da.
UL:	Listing no. E186629. UL listed to Class 1, Div 2. Groups A – D. UL listed for Ordinary Locations. Listing no. S8117
CSA:	Cert. no. 79120-3. Class 1 groups A, B, C & D.
CUTR Ex de:‡	2Exed IICT6 (switch only), 2Exedm IICT4 (other versions). Russian Fire Approved.
CUTR Ex ia:‡	0Exia IICT4. Russian Fire Approved.
Inmetro Exe:	Ex de mb IIC T4 Gb, Ex de IIC T6 Gb.
Inmetro Exia:	Ex ia IIC T4 Ga.
CQST Exe:	Exed IICT6 (switch only), Exedm IICT4 (other versions).
CQST Exia:	Exia IIC T4.
Type Apps:	American Bureau of Shipping type approval (ABS) PBI only.
SIL:	SIL 2 certification pending. Please contact MEDC for details.
Material:	Anti-static UV resistant glass reinforced polyester.
Finish:	Red painted finish as standard or to customer specification.
Voltage:	Up to 254V a.c. Up to 28V d.c.
Weight:	1.2 kg. (Varies with models and entries).
Ingress Protection:	IP66 & IP67.
Entries:	Up to 4 entries, M16 or M20 top and bottom (1/2" NPT available on UL version).
Terminals:	7 x 2.5mm ² – standard. 9 x 2.5mm ² optional – up to 60V only.
Resistors:	Various configurations available on versions up to 24V and all 'IS' versions. (Minimum Resistor value 100ΩPBE, 470ΩPBI).
Earth Continuity:	Internal and external earth continuity is provided with an optional earth plate.
LED Indication:	A high intensity red LED can be fitted as an optional extra to indicate operation on versions up to 24V and all 'IS' versions.
Labelling:	Duty label – worded to customers requirements. Riveted on. Tag label – worded to customers requirements. Screwed on.
Switch Ratings:	d.c. 0-30V 5A (resistive) or 3A (inductive) (1 or 2 changeover switches fitted) 30-50V 1A (resistive or inductive) a.c. 0-254V 5A (resistive or inductive)



Temperature

Model	PBW	PBUL	PBE	PBI	CSA
	-40°C to +70°C	-25°C to +55°C	-40°C to +70°C*	-40°C to +70°C	-50°C to +40°C

* -35°C to +70°C with LED, -20°C to +50°C for Inmetro.

Ordering Requirements

The following code is designed to help in selection of the correct unit. Build up the reference number by inserting the code for each component into the appropriate box.

Model	Certification	Entries	Labels	Voltage	Switches	Options	Terminals	Finish
PB								
Entries		Code	Label		Code	Options		Code
M16		*A	None		0	None		N
M20		*B	Duty label reqd.		4*	LED		A
1/2" NPT		*C	Tag label reqd.		5*	Resistor series		C*
						Resistor EOL		D*
						Diode		E†
						Earth continuity		F**
						Turn and push		T‡
						Self reset (momentary)		M
						Resistor series and EOL		S*†
Certification		Code	Voltage		Code	Terminals		Code
ATEX/CENELEC - Ex de		EB	a.c.		A	7 x 2.5mm (standard)		7
ATEX/CENELEC - Ex ia		IB	d.c.		D	9 x 2.5mm (optional)		9
IECEX - Ex ia		IJ						
CSA - Exi		IC						
UL - Listed		UL						
UL - Ordinary Locations		UW						
CUTR - Ex ia		IG*						
CUTR Ex de		EG*						
CQST - Ex ed		EQ†						
CQST - Exi		IQ†						
Inmetro - Ex ed		EM						
Inmetro - Exi		IM						
Uncertified		WN						

* Specify wording on 4 or 5 as required.

† Prefix entry size (see diagram above) with entry position code e.g. 4B6B.

UL versions only available with 1/2" NPT entries.

* Russian Fire Approved as standard.

† Not suitable for use in China on fire alarm systems.

* Specify values

** Must be selected when selecting CSA certification.

† Choose for PBE only - on the PBW, choose C & D.

‡ Not available for UL/CSA versions.

* Please specify

All specifications, dimensions, weights and tolerances are nominal (typical) and MEDC reserve the right to vary all data without prior notice. No liability is accepted for any consequence of use.

