

## Harsh Industrial & Marine Environments



### Features

- IP66 and IP67.
- Temperature range: -55°C to +70°C.
- Corrosion resistant grey painted GRP.
- Up to 117dB(A) output.
- 27 user selectable tones.
- Tones may be programmed to customer specification.
- Stainless steel ratcheted mounting bracket.
- Earth continuity available.
- Paint finish to customer requirement.
- Available compliant to AFNOR NF S 32 001.

### Introduction

This range of sounders have been specially designed for use in demanding industrial and marine environments where a robust construction and high ingress protection rating is required.

The body is manufactured completely from a UV stable glass reinforced polyester which is also highly flame retardant and impact resistant. Stainless steel screws are incorporated thus ensuring a corrosion free product.

*MEDC can also provide a range of sounders suitable for use in potentially explosive atmospheres.*

*For more information please contact MEDC.*

IP66/67  
Weatherproof

Corrosion Free  
All GRP

# Certification and Specification

<b>Certification:</b>	Body & horn in UV stable, glass reinforced polyester. Swivel bracket in stainless steel. Cover screws in stainless steel.
<b>Finish:</b>	Painted to customer specification.
<b>Voltage:</b>	Up to 48V d.c. Up to 254V a.c.
<b>Operating Temp:</b>	-55°C to +70°C.
<b>Weight:</b>	2.6kg approx. Dependent on model.
<b>Ingress Protection:</b>	IP66 & IP67.
<b>Entries:</b>	2 x M20 ISO.
<b>Terminals:</b>	4 x 2.5mm <sup>2</sup> (a.c.), 6 x 2.5mm <sup>2</sup> (d.c.).
<b>Output:</b>	DB15 117dB(A) maximum.
<b>Mounting:</b>	Stainless steel bracket with ratchet facility.
<b>Earth Continuity:</b>	Available.
<b>Labels:</b>	Duty and tag labels optional.

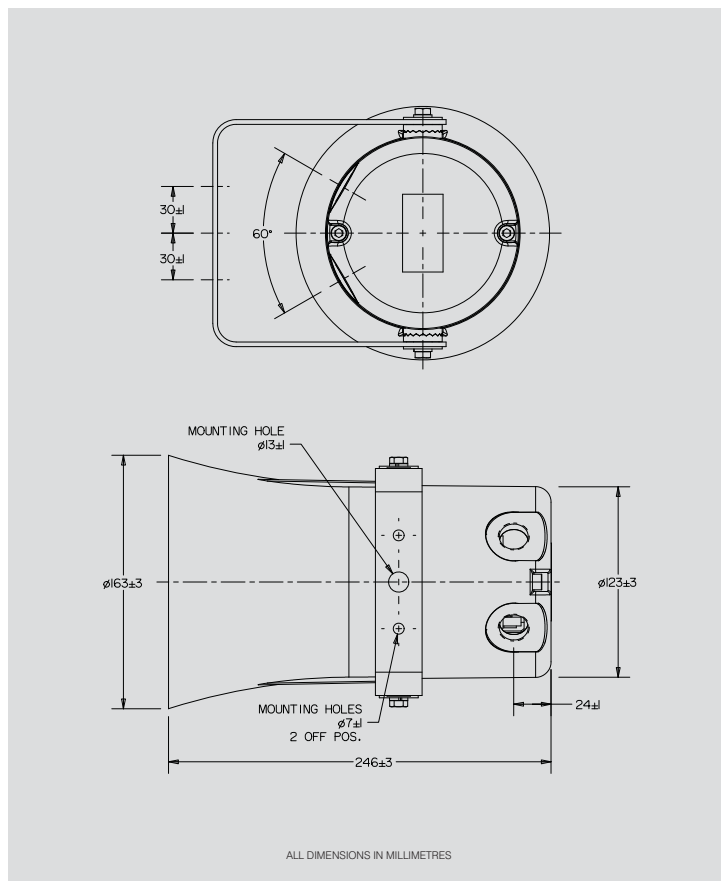
## Volume Control:

*Nominal Output dB(A)	Input Current mA
100	150
105	250
108	350
110	450
112	550

\*Output measured with 24V input voltage. Tone set to 970Hz continuous.

## Current Consumption:

V	I
12V d.c.	900mA
24V d.c.	600mA
48V d.c.	280mA
110V a.c.	150mA
120V a.c.	175mA
220V a.c.	93mA
240V a.c.	86mA
254V a.c.	80mA



ALL DIMENSIONS IN MILLIMETRES

## Tone Selection:

- DB15: (Single):** 27 user selectable tones available. Additional 5 tones may be programmed.
- DB15P (Two stage unit):** Switchable between any two of the 27 tones by either:  
(i) Reversing the polarity of the supply, or  
(ii) by a 3 wire common +ve system, switching between the two -ve lines.  
Note: Two stage unit available in d.c. versions (DB15P) only.

AFNOR NF S 32 001 compliant version available – contact sales office for details.

# Ordering Requirements

The following code is designed to help in selection of the correct unit. Build up the reference number by inserting the code for each component into the appropriate box.

Model	Voltage	Options	Finish																																								
<table border="1"> <tr> <td>DB15</td> <td>DB15P</td> </tr> </table>	DB15	DB15P	<table border="1"> <thead> <tr> <th>Voltage</th> <th>Code</th> </tr> </thead> <tbody> <tr> <td>12V d.c.</td> <td>012</td> </tr> <tr> <td>24V-48V d.c.</td> <td>048</td> </tr> <tr> <td>110V a.c.</td> <td>110*</td> </tr> <tr> <td>120V a.c.</td> <td>120*</td> </tr> <tr> <td>220V a.c.</td> <td>220*</td> </tr> <tr> <td>240V a.c.</td> <td>240*</td> </tr> <tr> <td>254V a.c.</td> <td>254*</td> </tr> </tbody> </table>	Voltage	Code	12V d.c.	012	24V-48V d.c.	048	110V a.c.	110*	120V a.c.	120*	220V a.c.	220*	240V a.c.	240*	254V a.c.	254*	<table border="1"> <thead> <tr> <th>Options</th> <th>Code</th> </tr> </thead> <tbody> <tr> <td>Duty</td> <td>D*</td> </tr> <tr> <td>Tag</td> <td>T*</td> </tr> <tr> <td>Earth Continuity</td> <td>E</td> </tr> <tr> <td>End of Line Resistor</td> <td>R†</td> </tr> <tr> <td>Blanking Plug</td> <td>P</td> </tr> <tr> <td>None</td> <td>N</td> </tr> </tbody> </table>	Options	Code	Duty	D*	Tag	T*	Earth Continuity	E	End of Line Resistor	R†	Blanking Plug	P	None	N	<table border="1"> <thead> <tr> <th>Finish</th> <th>Code</th> </tr> </thead> <tbody> <tr> <td>Painted Grey</td> <td>G</td> </tr> <tr> <td>Red</td> <td>R</td> </tr> <tr> <td>Special</td> <td>S*</td> </tr> </tbody> </table>	Finish	Code	Painted Grey	G	Red	R	Special	S*
DB15	DB15P																																										
Voltage	Code																																										
12V d.c.	012																																										
24V-48V d.c.	048																																										
110V a.c.	110*																																										
120V a.c.	120*																																										
220V a.c.	220*																																										
240V a.c.	240*																																										
254V a.c.	254*																																										
Options	Code																																										
Duty	D*																																										
Tag	T*																																										
Earth Continuity	E																																										
End of Line Resistor	R†																																										
Blanking Plug	P																																										
None	N																																										
Finish	Code																																										
Painted Grey	G																																										
Red	R																																										
Special	S*																																										

\* DB15P not available in a.c. version.

\* Please specify wording.

† Specify value.

\* Please specify