

Exd(e), Weatherproof



Introduction

This range of lightweight all GRP, flameproof voice sounders is intended for use in potentially explosive gas and dust atmospheres and has been designed with high ingress protection to cope with the harsh environmental conditions found offshore and onshore in the oil, gas and petrochemical industries.

The flamepaths, flare and the body, are manufactured completely from a UV stable glass reinforced polyester. Stainless steel screws and sinter are incorporated thus ensuring a corrosion free product. A tapered flamepath is used to overcome the problems of assembly of parallel spigot flamepaths.

This unit offers up to 20 seconds of speech which can be recorded via an integral microphone or an input from an external source. The unit incorporates a variable delay allowing speech to be repeated at equal intervals of up to approximately 15 seconds.

In addition, a 'mechanical bell' sound version is available.

An optional Exe terminal chamber is available.

An uncertified version is available for use in non-explosive atmospheres.

Features

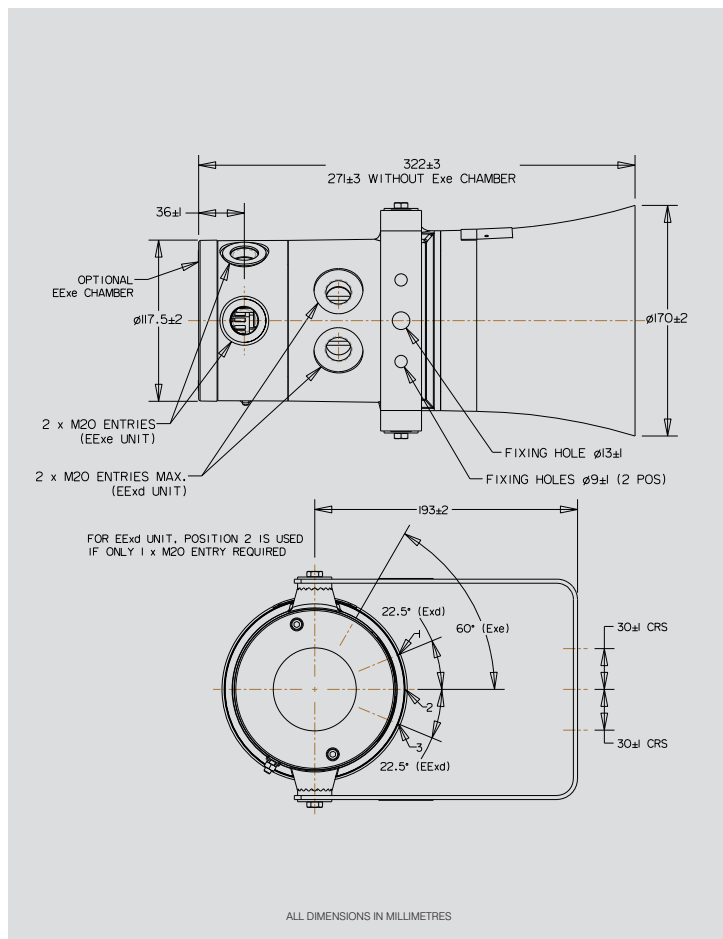
- Zone 1, Zone 2 and non-Ex use.
- Ex de IIC T4/T5.
- ATEX approved, EEx II 2GD.
- Optional Exe terminal chamber.
- BASEEFA certified.
- IECEx certified Gb, Db.
- CUTR certified.
- Chinese (CQST) certified.
- Brazilian (Inmetro) certified.
- IP66 and IP67.
- *Certified temperature: -55°C to $+70^{\circ}\text{C}$.
- All GRP corrosion free flamepaths.
- Up to 110dB(A) output.
- Integral volume control.
- d.c. version accepts any voltage between 12V d.c. and 48V d.c.
- End of line resistor option.
- Sounder/Beacon Combination Unit available.
- Bell recording version available.

**Depending on version.*



Certification and Specification

ATEX EEx d:	Cert. no. BAS00ATEX2097X. Certified to: EN50014, EN50018. Ex II 2GD, EEx d IIC T4/T5.
ATEX EEx de:	Cert. no. BAS00ATEX2098X. Certified to: EN50014, EN50018, EN50019. Ex II 2GD, EEx de IIC T4/T5.
IECEX Ex d:	Cert. no. IECEX BAS 11.0083X. Certified to: IEC60079-0, IEC60079-1, IEC60079-31. Ex d IIC T4/T5 Gb, Ex tb IIIC T100°C/T135°C Db.
IECEX Ex de:	Cert. no. IECEX BAS 11.0084X. Certified to: IEC60079-0, IEC60079-1, IEC60079-7, IEC60079-31. Ex de IIC T4/T5 Gb, Ex tb IIIC T100°C/T135°C Db.
CUTR Ex d:	1Ex d IIC T4/T5 Gb, Ex tb IIIC T100°C/T135°C Db. Russian Fire Approved.
CUTR Ex de:	2Ex de IIC T4/T5 Gb, Ex tb IIIC T100°C/T135°C Db. Russian Fire Approved.
Inmetro Ex d:	Ex d IIC T4/T5 Gb.
Inmetro Ex de:	Ex d e IIC T4/T5 Gb.
CQST:	Exd IIC T4.
Material:	Body & horn in anti-static, UV stable, glass reinforced polyester (GRP). Swivel bracket & captive cover screws in stainless steel.
Finish:	Body and horn, natural black or painted to customer colour requirements.
Voltage:	Up to 48V d.c.
Weight:	6.0kg approx. dependent on model (+0.5kg for Exe).
Ingress Protection:	IP66 & 67.
Entries:	Up to 2 x M20 Exd. 2 x M20 Exe.
Terminals:	6 x 2.5mm ² (d.c.).
Output:	110dB(A) (message dependent).
Volume Control:	Potentiometer.
Voice Recording:	Up to 20 seconds recording time.
Fire Retardancy:	GRP is fire retardant to ISO 1210.
Mounting:	Stainless steel bracket with ratchet facility.
Earth Continuity:	Included on Exde version.
Sounder/Beacon Unit:	The DB3V may be combined with an MEDC beacon to create a combined voice/visual alarm. Contact MEDC for price and specification.
Labels:	Duty and tag labels optional.



Current Consumption:

V	I
12V d.c.	1.2A
24V d.c.	600mA
48V d.c.	300mA

Certified Temperature:

	Exd	Exde	GOST R&K Exd	GOST R Exde	Chinese Exd
DB3V	-20°C +70°C	-20°C +70°C	-20°C +50°C	-20°C +40°C	-20°C +55°C
DB3LV*	-55°C +70°C	-50°C +70°C	-55°C +55°C	-55°C +55°C	n/a

* DB3LV IECEX Min Temp -40°C.

Ordering Requirements

The following code is designed to help in selection of the correct unit. Build up the reference number by inserting the code for each component into the appropriate box.

Model	Certification	Options	Entries	Finish																																																								
<table border="1"> <thead> <tr> <th>Model</th> <th>Details</th> </tr> </thead> <tbody> <tr> <td>DB3V</td> <td>Voice unit</td> </tr> <tr> <td>DB3LV †</td> <td>Low temp voice unit*</td> </tr> </tbody> </table> <p>* Available unpainted only. † Min IECEX temp -40°C.</p>	Model	Details	DB3V	Voice unit	DB3LV †	Low temp voice unit*	<table border="1"> <thead> <tr> <th>Certification</th> <th>Code</th> </tr> </thead> <tbody> <tr> <td>Uncertified</td> <td>W</td> </tr> <tr> <td>ATEX Exd</td> <td>D</td> </tr> <tr> <td>ATEX Exde</td> <td>E</td> </tr> <tr> <td>IECEX Exd</td> <td>DJ</td> </tr> <tr> <td>IECEX Exe</td> <td>EJ</td> </tr> <tr> <td>CUTR Exd</td> <td>DG</td> </tr> <tr> <td>CUTR Exde</td> <td>EG</td> </tr> <tr> <td>Chinese (CQST)</td> <td>Q</td> </tr> <tr> <td>Inmetro Exd</td> <td>DM</td> </tr> <tr> <td>Inmetro Exde</td> <td>EM</td> </tr> </tbody> </table>	Certification	Code	Uncertified	W	ATEX Exd	D	ATEX Exde	E	IECEX Exd	DJ	IECEX Exe	EJ	CUTR Exd	DG	CUTR Exde	EG	Chinese (CQST)	Q	Inmetro Exd	DM	Inmetro Exde	EM	<table border="1"> <thead> <tr> <th>Options</th> <th>Code</th> </tr> </thead> <tbody> <tr> <td>Duty</td> <td>D*</td> </tr> <tr> <td>Tag</td> <td>T*</td> </tr> <tr> <td>End of line resistor</td> <td>E†</td> </tr> <tr> <td>Bell tone</td> <td>O</td> </tr> <tr> <td>None</td> <td>N</td> </tr> </tbody> </table> <p>* Please specify wording. † State value.</p>	Options	Code	Duty	D*	Tag	T*	End of line resistor	E†	Bell tone	O	None	N	<table border="1"> <thead> <tr> <th>Entries</th> <th>Code</th> </tr> </thead> <tbody> <tr> <td>1 x M20 (Exd)</td> <td>1B</td> </tr> <tr> <td>2 x M20 (Exd/Exe)</td> <td>2B</td> </tr> <tr> <td>2 x M20 (Exd/Exe)</td> <td>2BP*</td> </tr> </tbody> </table> <p>* With one certified plug fitted.</p>	Entries	Code	1 x M20 (Exd)	1B	2 x M20 (Exd/Exe)	2B	2 x M20 (Exd/Exe)	2BP*	<table border="1"> <thead> <tr> <th>Finish</th> <th>Code</th> </tr> </thead> <tbody> <tr> <td>Natural Black</td> <td>N</td> </tr> <tr> <td>Red</td> <td>R</td> </tr> <tr> <td>Special</td> <td>S*</td> </tr> </tbody> </table> <p>* Please specify.</p>	Finish	Code	Natural Black	N	Red	R	Special	S*
Model	Details																																																											
DB3V	Voice unit																																																											
DB3LV †	Low temp voice unit*																																																											
Certification	Code																																																											
Uncertified	W																																																											
ATEX Exd	D																																																											
ATEX Exde	E																																																											
IECEX Exd	DJ																																																											
IECEX Exe	EJ																																																											
CUTR Exd	DG																																																											
CUTR Exde	EG																																																											
Chinese (CQST)	Q																																																											
Inmetro Exd	DM																																																											
Inmetro Exde	EM																																																											
Options	Code																																																											
Duty	D*																																																											
Tag	T*																																																											
End of line resistor	E†																																																											
Bell tone	O																																																											
None	N																																																											
Entries	Code																																																											
1 x M20 (Exd)	1B																																																											
2 x M20 (Exd/Exe)	2B																																																											
2 x M20 (Exd/Exe)	2BP*																																																											
Finish	Code																																																											
Natural Black	N																																																											
Red	R																																																											
Special	S*																																																											