

Intrinsically Safe (Exia)



Features

- Zone 0, Zone 1 and Zone 2 use.
- Ex ia IIC T4.
- ATEX approved Ex II 1G & Ex 1 M1.
- BASEEFA certified.
- IECEx certified, Ga.
- FM Approved – Class I, Div. 1, Groups A-D.
- CSA certified.
- Brazilian (Inmetro) certified.
- IP65.
- Certified temperature: -20°C to +55°C.
- Volume control as standard.
- Up to 103 dB(A).
- 26 different sound outputs, user selectable by internal switches.
- Encapsulated electronics.
- Second tone selectable using third wire.

Introduction

This range of lightweight, intrinsically safe Sounders have been designed with a high weatherproof rating to cope with the harsh environmental conditions found offshore and onshore in the oil, gas and petrochemical industries.

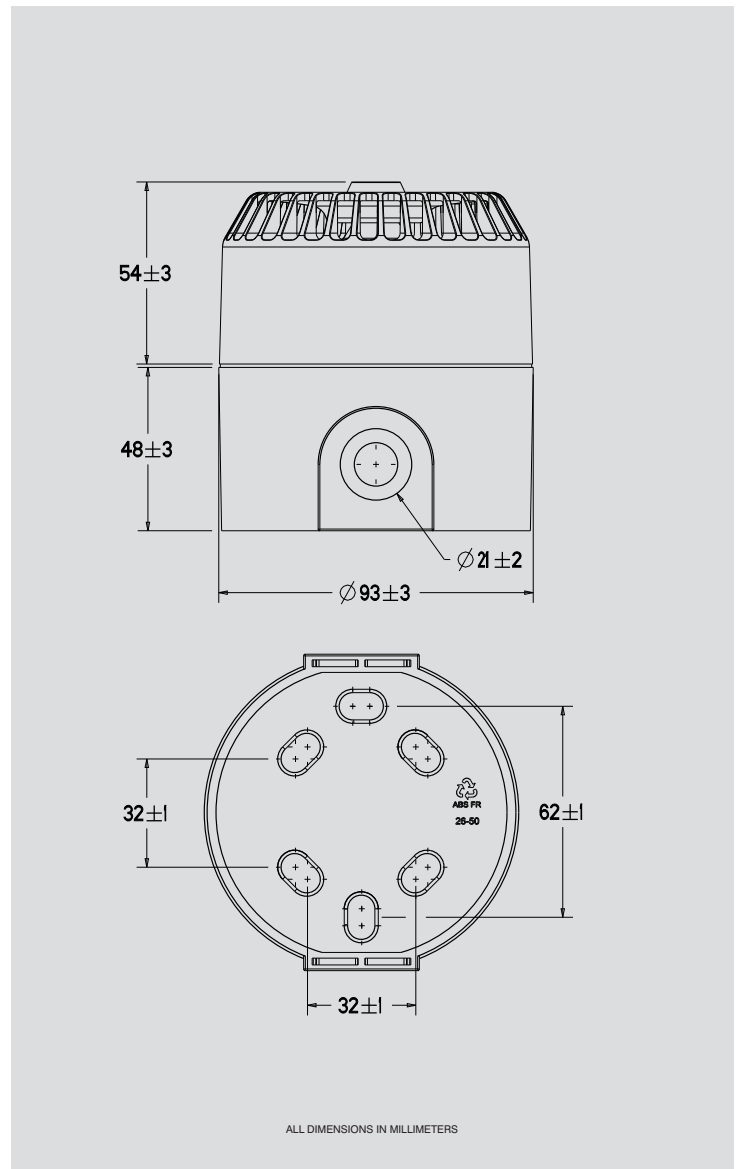
The unit is available in 2 models: 12V and 24V.



Certification and Specification

Certification: Certified to IEC60079-0, IEC60079-11, IEC60079-26.
 Certified to EN60079-0, EN60079-11, EN60079-26.
 ATEX Cert. No. BAS00ATEX1259X.
 Ex II 1 G Ex ia IIC T4 Ga.
 System Cert. No. (BAS no.) Ex 01E2024.
 HSE(M) to EN50014, EN50020 and EN50303.
 Exia 1 Cert. No. MECS01ATEX4260 (unit) and 94Y7095 (system).
 IECEX BAS 08.0043x Exia IIC T4 Ga.
 FM Approved to Class 1, Div 1 groups A, B, C and D. J.I. 3008604.
 Refer to FM Data sheet at rear of catalogue for complete information.
 CSA to C22.2 Nos. 0, 0.4, 0.5, 25, 30, 205.
 Class 1 groups A, B, C and D.
 Cert. No. 79122.
 Brazilian (Inmetro) certified Ex ia IIC T4 Ga.
 American Bureau of Shipping Type Approval.

Material:	A.B.S. (Acrylonitrile Butadiene Styrene).
Finish:	Available in Red as standard.
Sound Output:	100± 3dB(A) for 12V and 24V versions. Typical max value only – variable with tone. Tones comply with BS 5839 Part 1.
Current Consumption:	24V model – 14 mA max. nominal. 12V model – 12 mA max. nominal.
Certified Temp:	-20°C to +55°C.
Weight:	0.3kg.
Entries:	2 x M20 side entries.
Terminals:	6 off suitable to accept up to 2.5mm ² cable, for looping.



ALL DIMENSIONS IN MILLIMETERS

Ordering Requirements

The following code is designed to help in selection of the correct unit. Build up the reference number by inserting the code for each component into the appropriate box.

Model DB5	Certification <input type="text"/>	Voltage <input type="text"/>	Tag Label <input type="text"/>	Finish <input type="text"/>																																
	<table border="1"> <thead> <tr> <th>Certification</th> <th>Code</th> </tr> </thead> <tbody> <tr> <td>BASEEFA GP 1</td> <td>M*</td> </tr> <tr> <td>BASEEFA GP 2</td> <td>B</td> </tr> <tr> <td>IECEX</td> <td>J</td> </tr> <tr> <td>FM</td> <td>FM</td> </tr> <tr> <td>CSA</td> <td>C</td> </tr> <tr> <td>Inmetro</td> <td>IM</td> </tr> </tbody> </table>	Certification	Code	BASEEFA GP 1	M*	BASEEFA GP 2	B	IECEX	J	FM	FM	CSA	C	Inmetro	IM	<table border="1"> <thead> <tr> <th>Voltage</th> <th>Code</th> </tr> </thead> <tbody> <tr> <td>12V</td> <td>012</td> </tr> <tr> <td>24V</td> <td>024</td> </tr> </tbody> </table>	Voltage	Code	12V	012	24V	024	<table border="1"> <thead> <tr> <th>Tag Label</th> <th>Code</th> </tr> </thead> <tbody> <tr> <td>None</td> <td>N</td> </tr> <tr> <td>Yes</td> <td>Y*</td> </tr> </tbody> </table>	Tag Label	Code	None	N	Yes	Y*	<table border="1"> <thead> <tr> <th>Finish</th> <th>Code</th> </tr> </thead> <tbody> <tr> <td>Red</td> <td>R</td> </tr> <tr> <td>Special</td> <td>S*</td> </tr> </tbody> </table>	Finish	Code	Red	R	Special	S*
Certification	Code																																			
BASEEFA GP 1	M*																																			
BASEEFA GP 2	B																																			
IECEX	J																																			
FM	FM																																			
CSA	C																																			
Inmetro	IM																																			
Voltage	Code																																			
12V	012																																			
24V	024																																			
Tag Label	Code																																			
None	N																																			
Yes	Y*																																			
Finish	Code																																			
Red	R																																			
Special	S*																																			

* 12V only.

*Please specify.

*Please specify.