

## Harsh Industrial & Marine Environments



### Features

- IP66 and IP67.
- Temperature range:  $-55^{\circ}\text{C}$  to  $+70^{\circ}\text{C}$ .
- Corrosion resistant GRP.
- 117dBA at 15 watts at 1 metre.
- 100V line transformer.
- Power tapings, via integral transformer.
- Addressable capability.
- Stainless steel ratcheted mounting bracket.
- Earth continuity available.
- BS5839 part 8 compliant version available.

### Introduction

This range of loudspeakers has a power rating of 15 Watts and is suitable for use in demanding environments where a robust construction and high ingress protection rating is required.

The body is manufactured completely from a UV stable glass reinforced polyester which is also highly flame retardant and impact resistant. Stainless steel screws are incorporated thus ensuring a corrosion free product.

*MEDC can also provide a range of speakers suitable for use in potentially explosive atmospheres.*

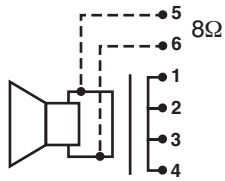
*For more information please contact MEDC.*

IP66/67  
Weatherproof

Corrosion Free  
All GRP

# Certification and Specification

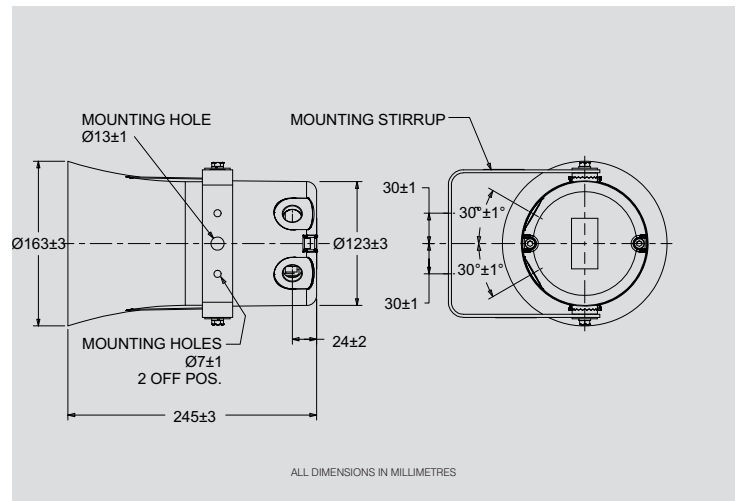
<b>Material:</b>	Body & horn in UV stable, glass reinforced polyester. Swivel bracket in stainless steel. Cover screws in stainless steel.
<b>Finish:</b>	Painted to customer's specification.
<b>Rated Power:</b>	15 watts RMS continuous (at 25°C).
<b>Certified Temp:</b>	-55°C to +70°C.
<b>Weight:</b>	2.6kg approx. dependent on model.
<b>Ingress Protection:</b>	IP66 & IP67.
<b>Entries:</b>	2 x M20 ISO.
<b>Terminals:</b>	Up to 8 x 2.5mm <sup>2</sup> . Other terminal arrangements available on request.
<b>Output:</b>	Maximum output at 1W/1m at 900Hz is 107 dBA. Maximum output at 15W/1m at 900Hz is 117 dBA.
<b>Frequency Range:</b>	400Hz to 7kHz.
<b>Voice Coil Impedance:</b>	8 ohms.
<b>Mounting:</b>	Via stirrup with ratchet facility.
<b>Earth Continuity:</b>	Available.
<b>Labels:</b>	Duty and tag labels optional.
<b>Transformer:</b>	Used to vary the rated power by selecting different tappings (see table below).



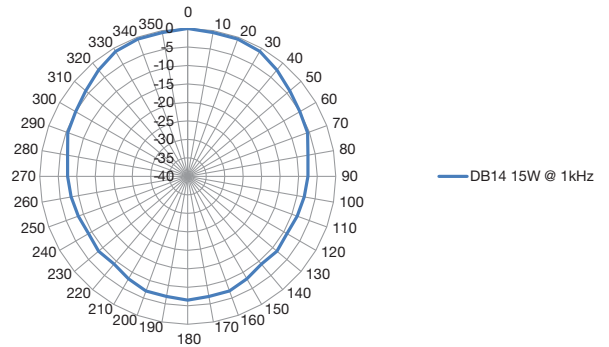
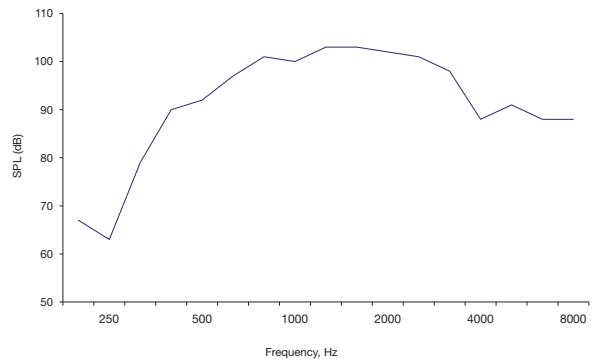
Transformer Tappings	Power W
1:2	15.0
2:3	7.5
3:4	5.0
1:3	4.0
2:4	2.0
1:4	0.8

## Transformer Options:

- Standard:**
- Standard Tapping: Loop in/Loop out (4 x 2) terminal tap change (8 terminals).
  - Optional Tapping: 4 terminal tap change with 2 terminals (5 & 6), directly connected to driver (8 ohms).



Frequency Response @ 1W/1M for 15W Unit (1/3 Octave Pink Noise)



# Ordering Requirements

The following code is designed to help in selection of the correct unit. Build up the reference number by inserting the code for each component into the appropriate box.

Model	Transformer	Option	Finish																												
DB14																															
	<table border="1"> <thead> <tr> <th>Transformer</th> <th>Code</th> </tr> </thead> <tbody> <tr> <td>Yes</td> <td>X*</td> </tr> <tr> <td>None</td> <td>N</td> </tr> </tbody> </table>	Transformer	Code	Yes	X*	None	N	<table border="1"> <thead> <tr> <th>Option</th> <th>Code</th> </tr> </thead> <tbody> <tr> <td>Duty label</td> <td>D*</td> </tr> <tr> <td>Tag label</td> <td>T*</td> </tr> <tr> <td>Earth continuity</td> <td>E</td> </tr> <tr> <td>BS5839, part 8 compliant</td> <td>PT8</td> </tr> <tr> <td>Blanking Plug</td> <td>P</td> </tr> <tr> <td>None</td> <td>N</td> </tr> </tbody> </table>	Option	Code	Duty label	D*	Tag label	T*	Earth continuity	E	BS5839, part 8 compliant	PT8	Blanking Plug	P	None	N	<table border="1"> <thead> <tr> <th>Finish</th> <th>Code</th> </tr> </thead> <tbody> <tr> <td>Painted Grey</td> <td>G</td> </tr> <tr> <td>Red</td> <td>R</td> </tr> <tr> <td>Special</td> <td>S*</td> </tr> </tbody> </table>	Finish	Code	Painted Grey	G	Red	R	Special	S*
Transformer	Code																														
Yes	X*																														
None	N																														
Option	Code																														
Duty label	D*																														
Tag label	T*																														
Earth continuity	E																														
BS5839, part 8 compliant	PT8																														
Blanking Plug	P																														
None	N																														
Finish	Code																														
Painted Grey	G																														
Red	R																														
Special	S*																														

\* Standard 100V.  
Other voltages available, specify voltage.

\*Please specify.

\* Please specify wording.