

Exde, Weatherproof



Introduction

This range of loudspeakers, intended for use in potentially explosive atmospheres, has a power rating of up to 8 Watts and is suitable for use in the harsh environmental conditions found offshore and onshore in the oil, gas and petrochemical industries.

The body and cover are manufactured from a UV stable glass reinforced polyester. The flare is manufactured from UV stable ABS.

Stainless steel screws and mounting stirrup are incorporated to ensure a corrosion-free product.

Features

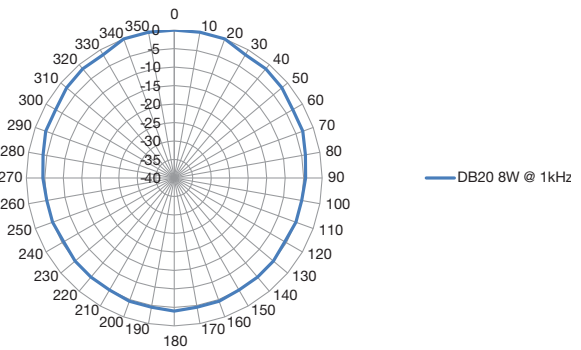
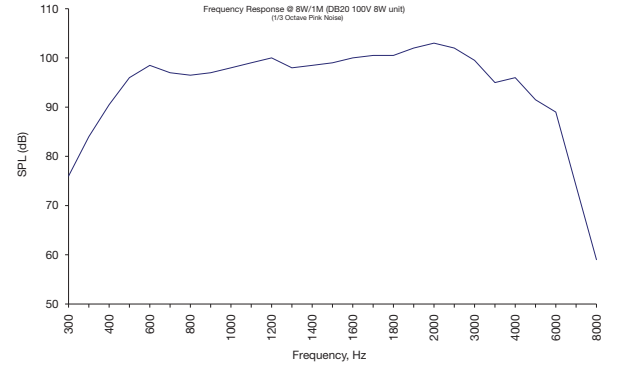
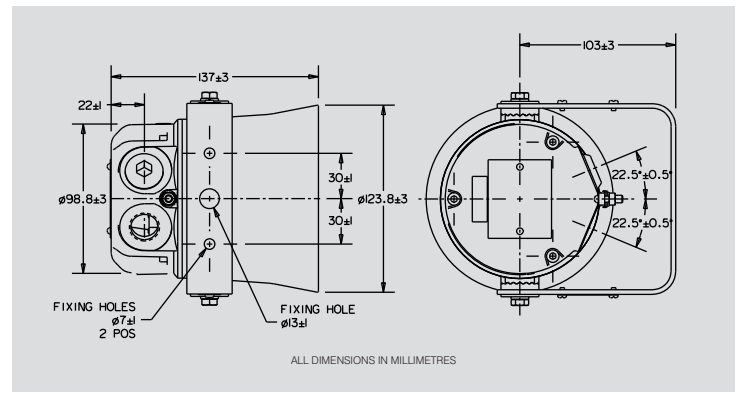
- Zone 1 & 2 (and Zone 21 & 22 : IIC version) plus non-Ex use.
- ATEX Approved.
- Ex II 2G Ex de IIB T3/T4.
- IIC Gas Group and Dust approved version available.
- Brazilian (Inmetro) certified.
- CUTR certified.
- IECEx Approved.
- IP66 & IP67.
- Certified temperature: -50°C to $+70^{\circ}\text{C}^*$.
- GRP corrosion-free flamepath.
- 112dB(A) at 8 watts at 1 metre (IIB Version).
- Power tapings via integral transformer.
- Ratcheted swivel mounting stirrup.
- Stainless steel fixtures.
- 100V or 70V line and 8Ω versions available.
- Earth continuity available.
- 8 terminal option to facilitate 'loop in and loop out' wiring.

**Temperature class relates to ambient temperature (see over)*

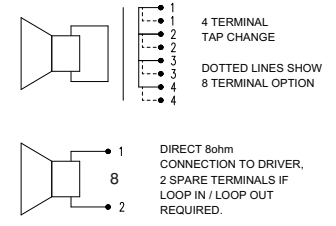


Certification and Specification

ATEX Ex de IIB:	Cert. no. Baseefa05ATEX0198. Certified to: EN60079-0, EN60079-1, EN60079-7. Ex II 2 G, Ex de IIB T3 (-50°C to +70°C). Ex II 2 G, Ex de IIB T4 (-50°C to +40°C).
ATEX Ex de IIC:	Cert. no. Baseefa05ATEX0198. Certified to: EN60079-0, EN60079-1, EN60079-7, EN61241-0, EN61241-1. Ex II 2 GD, Ex de IIC T4, Ex tD A21 T130°C (-50°C to +70°). Ex II 2 GD, Ex de IIC T4, Ex tD A21 T115°C (-50°C to +55°). Ex II 2 GD, Ex de IIC T5, Ex tD A21 T100°C (-50°C to +40°).
IECEX Ex de IIB:	Cert. no. IECEX BAS 05.0082. Certified to: IEC60079-0, IEC60079-1, IEC60079-7. Ex de IIB T3 (-50°C to +70°C). Ex de IIB T4 (-50°C to +40°C).
IECEX Ex de IIC:	Cert. no. IECEX BAS 05.0083. Certified to: EN60079-0, EN60079-1, EN60079-7, EN61241-0, EN61241-1. Ex de IIC T4, Ex tD A21 T130°C (-50°C to +70°). Ex de IIC T4, Ex tD A21 T115°C (-50°C to +55°). Ex de IIC T5, Ex tD A21 T100°C (-50°C to +40°).
CUTR:	2Exde IIB T3 (-50°C to +70°C). 2Exde IIC T4, Ex tD A21 T130°C (-50°C to +70°).
Inmetro:	Ex de IIB T3/T4 Gb, Ex de IIC T4/T5 Gb.
Material:	Body & Cover - UV stable, glass reinforced polyester. Outer flare - UV stable ABS. Mounting stirrup and fixtures in stainless steel.
Finish:	Natural black or painted or to client's requirements.
Rated Power:	8 Watts RMS continuous (at 25°C).
Output:	IIB version: Maximum output at 1W/1M is 103 dB(A). Maximum output at 4W/1M is 109 dB(A). Maximum output at 8W/1M is 112 dB(A). IIC version: Maximum output at 1W/1M is 100 dB(A). Maximum output at 4W/1M is 106 dB(A). Maximum output at 8W/1M is 109 dB(A).
Frequency Range:	400Hz to 7kHz.
Voice Coil Impedance:	8 ohms.
Certified Temp:	IIB version: Tamb -50°C to +70°C (T3) and Tamb -50°C to +40°C (T4). IIC version: Tamb -50°C to +70°C (T4) and Tamb -50°C to +40°C (T5).
Weight:	1.5kg approx.
Ingress Protection:	IP66 & IP67.
Entries:	2 x M20 ISO + 1 x certified plug.
Terminals:	4 x 4.0mm ² as standard. 8 x 2.5mm ² optional, ATEX and IECEX only.
Mounting:	Via Stirrup with ratchet facility.
Earth Continuity:	Available.
Labels:	Optional stainless steel tag and duty labels.
Transformer:	Used by combining the rated power tappings below.



Transformer Tappings	Power (Watts)	
	8W unit	4W Unit
1:2	8.00	4.00
2:3	4.00	2.00
3:4	2.00	1.00
1:3	1.50	0.75
2:4	0.75	0.38
1:4	0.40	0.20



Ordering Requirements

The following code is designed to help in selection of the correct unit. Build up the reference number by inserting the code for each component into the appropriate box.

Model	Certification	Max Rated Power	Transformer	Options	Finish																																																				
DB20																																																									
	<table border="1"> <thead> <tr> <th>Certification</th> <th>Code</th> </tr> </thead> <tbody> <tr><td>ATEX IIB</td><td>BB</td></tr> <tr><td>ATEX IIC</td><td>BC</td></tr> <tr><td>IECEX IIB</td><td>JB</td></tr> <tr><td>IECEX IIC</td><td>JC</td></tr> <tr><td>CUTR IIB</td><td>GB</td></tr> <tr><td>CUTR IIC</td><td>GC</td></tr> <tr><td>Inmetro IIB</td><td>MB</td></tr> <tr><td>Inmetro IIC</td><td>MC</td></tr> <tr><td>Weatherproof</td><td>W</td></tr> </tbody> </table>	Certification	Code	ATEX IIB	BB	ATEX IIC	BC	IECEX IIB	JB	IECEX IIC	JC	CUTR IIB	GB	CUTR IIC	GC	Inmetro IIB	MB	Inmetro IIC	MC	Weatherproof	W	<table border="1"> <thead> <tr> <th>Power</th> <th>Code</th> </tr> </thead> <tbody> <tr><td>8 Watts</td><td>8</td></tr> <tr><td>4 Watts</td><td>4</td></tr> </tbody> </table>	Power	Code	8 Watts	8	4 Watts	4	<table border="1"> <thead> <tr> <th>Transformer</th> <th>Code</th> </tr> </thead> <tbody> <tr><td>Transformer</td><td>X*</td></tr> <tr><td>8Ω version</td><td>N</td></tr> </tbody> </table> <p>* ATEX = 100V Line 70V Line available please specify.</p>	Transformer	Code	Transformer	X*	8Ω version	N	<table border="1"> <thead> <tr> <th>Option</th> <th>Code</th> </tr> </thead> <tbody> <tr><td>None</td><td>N</td></tr> <tr><td>Duty label</td><td>D*</td></tr> <tr><td>Tag label</td><td>T*</td></tr> <tr><td>Earth continuity</td><td>E</td></tr> <tr><td>8 terminals</td><td>8‡</td></tr> </tbody> </table> <p>* Please specify. ‡ Option only available with ATEX and IECEX certified units, if not selected will be supplied with 4 terminals as standard.</p>	Option	Code	None	N	Duty label	D*	Tag label	T*	Earth continuity	E	8 terminals	8‡	<table border="1"> <thead> <tr> <th>Colour</th> <th>Code</th> </tr> </thead> <tbody> <tr><td>Natural Black</td><td>N</td></tr> <tr><td>Red</td><td>R</td></tr> <tr><td>Special</td><td>S*</td></tr> </tbody> </table> <p>* Please specify.</p>	Colour	Code	Natural Black	N	Red	R	Special	S*
Certification	Code																																																								
ATEX IIB	BB																																																								
ATEX IIC	BC																																																								
IECEX IIB	JB																																																								
IECEX IIC	JC																																																								
CUTR IIB	GB																																																								
CUTR IIC	GC																																																								
Inmetro IIB	MB																																																								
Inmetro IIC	MC																																																								
Weatherproof	W																																																								
Power	Code																																																								
8 Watts	8																																																								
4 Watts	4																																																								
Transformer	Code																																																								
Transformer	X*																																																								
8Ω version	N																																																								
Option	Code																																																								
None	N																																																								
Duty label	D*																																																								
Tag label	T*																																																								
Earth continuity	E																																																								
8 terminals	8‡																																																								
Colour	Code																																																								
Natural Black	N																																																								
Red	R																																																								
Special	S*																																																								

All specifications, dimensions, weights and tolerances are nominal (typical) and MEDC reserve the right to vary all data without prior notice. No liability is accepted for any consequence of use.

