

Exd, Weatherproof



Introduction

These Status Lights have been designed for use in potentially explosive atmospheres and harsh environmental conditions. The indicators are suitable for use offshore or onshore, where a high degree of corrosion resistance is required.

The housings are manufactured from a UV stable, glass reinforced polyester (GRP) fitted to a stainless steel mounting plate for ease of installation. Stainless steel fixings are also used, ensuring a corrosion free product.

Units can be painted to customer specification and supplied with identification labels.

Units can be supplied as 2, 3 or 4 way in any combination.

Features

- Zone 1 and Zone 2 use.
- ATEX certified.
- Ex II 2GD.
- IECEx certified Gb, Db.
- UL Listed (see US data sheet).
- IP66 and 67.
- Certified temperature: -55°C to +70°C*.
- Corrosion free GRP.
- Filament 60W or 100W*.
- High powered LED flashing or steady.
- Various flash rates available for xenon & LED units.
- Various lens colours.
- Optional cast or wire lens guard.
- High powered LED flashing or steady.

*Model dependent.



Certification and Specification

Certification: Certified to EN60079-0, EN60079-1, EN60079-31.
 Certified to IEC60079-0, IEC60079-1, IEC60079-31.
 ATEX Cert. No. Baseefa04ATEX0009X.
 Ex II 2 GD Exd IIC T6/T5/T4/T3* Gb.
 Ex tb IIIC T85°C/ T100°C/ T135°C/ T200°C Db.
 IECEx Cert. No. IECEx BAS 05.0048X.
 Exd IIC T6/T5/T4/T3* Gb.
 Ex tb IIIC T85°C/ T100°C/ T135°C/ T200°C Db.
 UL listed versions, see separate data sheet.
 *Model dependent.

Material: Body: Glass reinforced polyester.
 Lens: Glass.
 Back plate & fixings: stainless steel 316.
 Wire Guard (optional): stainless steel wire.
 Cast Guard (optional): aluminium LM25M.

Finish: Natural black or painted to customer specification.

Voltage: 24, 48V d.c.* - 110, 120, 230, 240, 254V a.c. * LED is d.c. only.

Xenon:
 Tube Energy: 15 Joules.
 Tube Life: > 1x10⁶ flashes
 Flash rate: 60, 80 or 120 fpm
 Certified Temp: -55°C to +40°C (T6)
 -55°C to +55°C (T5)
 -55°C to +70°C (T4)

Filament:
 Lamp Type: 60W or 100W GLS filament
 Lamp Holder: E27 as standard
 Certified Temp: 60W -55°C to +55°C (T4)
 -55°C to +70°C (T3)
 100W -55°C to +40°C (T3)

LED:
 Certified Temp: -55°C to +55°C (T6)
 -55°C to +70°C (T5)
 LED Life: 54,000 Hours

Weight: 2-Way: 6.5Kg, 3-Way: 9.8Kg, 4-Way: 13.1Kg.

Ingress Protection: IP66 & 67

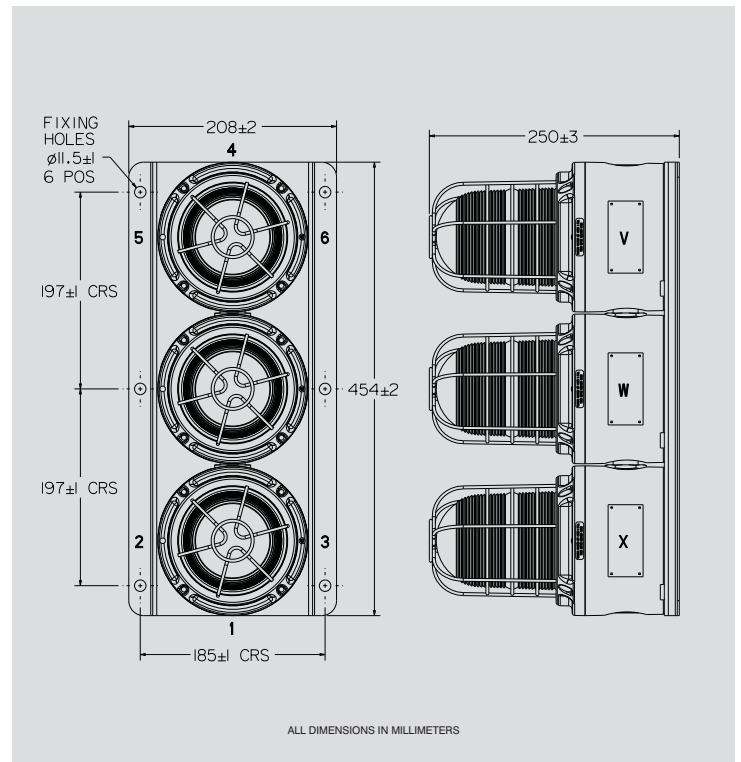
Entries: Available with up to 2 x M20 or 2 x M25 entries in either bottom or top of unit.
 Entries in both bottom and top of unit by special order only.

Terminals: Suitable for up to 2.5mm² cable max.

Labels: Tag/Duty label option.

Current Consumption (per way):

	d.c.		a.c.				
	24	48	110	120	230	240	254
Voltage	0.99	0.73	0.4	0.4	0.2	0.2	0.17
Xenon	2.5	1.25	0.55	0.5	0.26	0.25	0.24
Filament - 60W	4.2	2.1	0.91	0.83	0.43	0.42	0.39
Filament - 100W	0.21	0.11	-	-	-	-	-
LED - Steady	0.42	0.21	-	-	-	-	-
LED - Flashing							



Light Output (effective cd):

Xenon 60fpm	Filament 100W	Filament 60W	LED 60fpm	LED 80fpm	LED 120fpm	LED Steady
330	135	64	128	117	100	86

Multiplying Factor for Coloured Lenses:

	Red	Blue	Green	Amber	Clear	Yellow
Xenon/Filament	0.15	0.12	0.49	0.51	1.00	0.86
LED	0.47	0.19	0.67	0.43	1.00	0.95

Ordering Requirements

The following code is designed to help in selection of the correct unit. Build up the reference number by inserting the code for each component into the appropriate box.

Lamp Type / Positions (see diagram)

Model Certification

V W X Y

Certification	Code
ATEX	B
IECEx	J

Indicate light module type		
Filament	Xenon	LED - 6*
60W - 1	60fpm - 3	
100W - 2	80fpm - 4	
	120fpm - 5	
Suffixed by colour required		
Lens colour	Code	
Red	R	
Blue	B	
Green	G	
Amber	A	
Yellow	Y	
Clear	C	

* User selectable function preset at 60fpm.

Voltage Cable Entries Lens Guard Duty/Tag Finish

Voltage	Code
24V d.c.	024
48V d.c.	048
110V a.c.	110*
120V a.c.	120*
230V a.c.	230*
240V a.c.	240*
254V a.c.	254*

* LED not available.

Guard	Code
None	N
Cast	C
Wire	W

Finish	Code
Natural Black	N
Red	R
Blue	B
Yellow	Y
Green	G
White	W
Special	S*

* Please specify.

Entry Size	Code
M20	*C
M25	*D

* Prefix with cable entry position (see diagram)
 Note: maximum 2 entries bottom OR top. Bottom AND top entry(s) by special order only.

Label	Code
Duty label	D*
Tag label	T*
None	N

* Please specify.

Example: A two way ATEX approved unit with one 100W filament lamp with green lens for the top unit and one 60fpm xenon lamp with red lens for the bottom unit, rated 24V with 2 x M20 bottom entries, no guard, no labels, finished in red would be:

SL15B2G3R0242C3CNNR