

## Explosion-proof, Weatherproof



## Features

- Zone 1 and Zone 2 use.
- Exd.
- \*ATEX approved, Ex II 2GD.
- \*BASEEFA certified.
- IECEx certified Gb, Db.
- \*UL listed for USA and Canada:
  - Class I, Div. 1 & 2, Groups C & D.
  - Class I, Zone 1, AExd IIB T6.
- \*CSA certified.
- \*GOST 'R' & 'K' certified.
- \*Chinese (CQST) certified.
- Brazilian (Inmetro) certified.
- IP66 & 67.
- \*Certified temperature: -55°C to +70°C.
- \*LED, xenon, fluorescent, filament.
- Marine grade alloy, stainless steel option or GRP.
- Close-coupled and pre-wired to customer's requirements.

*\*Model dependant.*

## Introduction

This range of versatile status lights has been designed to suit various offshore and onshore applications.

Available as LED, xenon, filament and fluorescent beacons.

The SM87 SL range is manufactured in marine grade alloy or stainless steel and the XB11 SL in corrosion-free GRP to provide a wide range of status lights to suit clients' requirements.

All units can be supplied as 1, 2, 3, 4 or 5 way.

**Note: Units shown are for illustration purposes only, other variants are available.**



# Specification

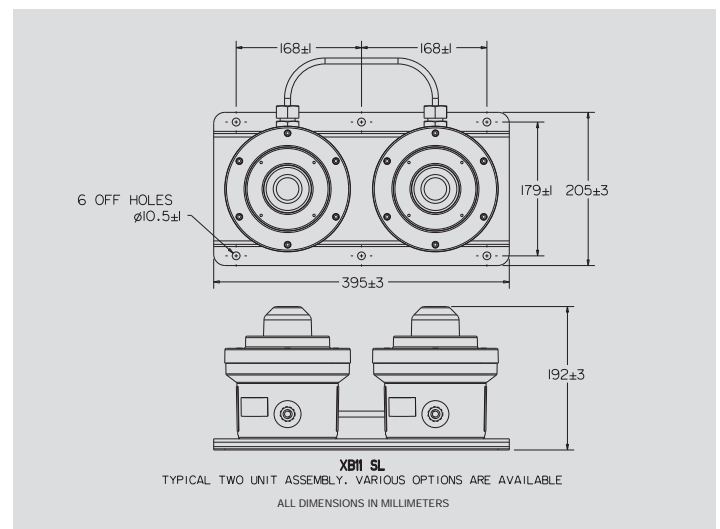
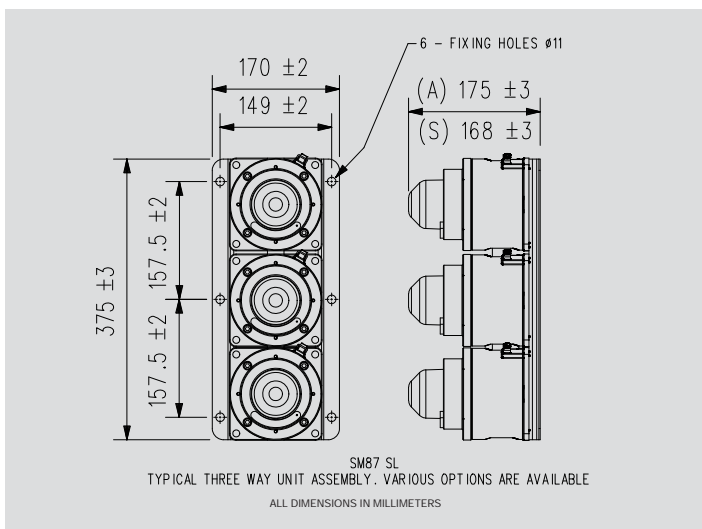
## SM87 SL

<b>Lamp Types:</b>	LED 192 Candela. Xenon 6 joules maximum. Fluorescent 10W or 5W. Filament 40W maximum.
<b>Certification:</b>	Certified to IEC60079-0, IEC60079-1, IEC60079-31. Certified to EN60079-0, EN60079-1, EN60079-31. ATEX Cert. No. Baseefa 03ATEX0222. Ex II 2 GD Ex d IIC T5/T6 Gb, Ex tb IIIC 65°C...100°C Db. IECEX Cert. No. IECEX BAS 09.0059. Ex d IIC T3/T4/T5/T6 Gb, Ex tb IIIC T55°C...T155°C Db. UL Listed for USA and Canada: Class I, Div 1, Groups C & D, Class I, Zone 1, AExd IIB T6, Listing No. E187894. CSA Certified: Class I, Div 1 & 2, Group D. Cert. No. 96406. GOST 'R' & 'K' Certified: 1Exd IIC T4. Chinese Certified: Exd IIC T4 (Filament), Exd IIC T6 (Fluorescent & Xenon). Brazilian (Inmetro) Certified: BR-Ex d IIC T3/T4/T5/T6.
<b>Voltage Frequency:</b>	50 Hz as standard. 60 Hz available if required.
<b>Xenon Voltages:</b>	24, 48V d.c. 110, 120, 240, 254V a.c. (see SM87 HXB data sheet for further information).
<b>Filament Voltages:</b>	12, 24, 48V d.c., 110, 220, 240, 254V a.c. (see SM87 LU3 data sheet for further information).
<b>Fluorescent Voltages:</b>	12, 24, 48V d.c., 220, 240, 254V a.c. (see SM87 LU1 data sheet for further information).
<b>Lamp Colours:</b>	Red, Amber, Yellow, Green, Blue or Clear.
<b>Terminals:</b>	2.5mm <sup>2</sup> max.
<b>Wiring:</b>	Standard configuration of internal wiring is to common the negative/neutral connections. If individually wired lamps are required, please state requirements.
<b>Entries:</b>	Up to 3 x M20 or M25 ISO.
<b>Enclosure:</b>	LM 25TF Marine Grade Alloy.
<b>Lens:</b>	Glass.
<b>Finish:</b>	Natural black or painted to customer's specification.
<b>Ingress Protection:</b>	IP66 & 67.
<b>Ambient Temp.</b>	-20°C to +55°C (LED & Fluorescent). -55°C to +70°C (Xenon Filament).
<b>Gland Type:</b>	Exd.

## XB11 SL

<b>Lamp Types:</b>	Xenon 5 joules. Fluorescent 10W or 5W. Filament 10W.
<b>Certification:</b>	Certified to IEC60079-0, IEC60079-1, IEC60079-31. Certified to EN60079-0, EN60079-1, EN60079-31. ATEX Cert. No. BAS99ATEX2195. Ex II 2 GD Ex d IIB T4/T5/T6 Gb, Ex tb IIIC 70°C...110°C. IECEX Cert. No. IECEX BAS 10.0101. Ex d IIB T4/T5/T6 Gb, Ex tb IIIC T70°C...T110°C Db. UL Listed for USA and Canada: Class I, Div 2, Groups C & D, Class I, Zones 1 & 2, AExd IIB T5/T6. Listing No. E187894 (XB11 only). Chinese Certified: Exd IIB T5/T6. Brazilian (Inmetro) Certified: BR-Ex d IIB T4/T5/T6.
<b>Voltage Frequency:</b>	50 Hz as standard. 60 Hz available if required.
<b>Xenon Voltages:</b>	24V d.c., 110V, 240V a.c. (see XB11 data sheet for further information).
<b>Filament Voltages:</b>	24, 48V d.c., 110, 220, 240, 254V a.c. (see FL11* data sheet for further information).
<b>Fluorescent Voltages:</b>	24V d.c., 240V a.c. (see FL11* data sheet for further details).
<b>Lamp Colours:</b>	Red, Amber, Yellow, Green, Blue or Clear.
<b>Terminals:</b>	2.5mm <sup>2</sup> max.
<b>Wiring:</b>	Standard configuration of internal wiring is to common the negative/neutral connections. If individually wired lamps are required, please state requirements.
<b>Entries:</b>	1 x M20.
<b>Enclosure:</b>	GRP.
<b>Lens:</b>	Glass.
<b>Finish:</b>	Natural black or painted to customer's specification.
<b>Ingress Protection:</b>	IP66 & 67.
<b>Ambient Temp.</b>	-55°C to +70°C.
<b>Gland Type:</b>	Exd.

\*NOTE: FL11 currently not available UL listed.



## Ordering Requirements

Please contact cooper MEDC to discuss your requirements.