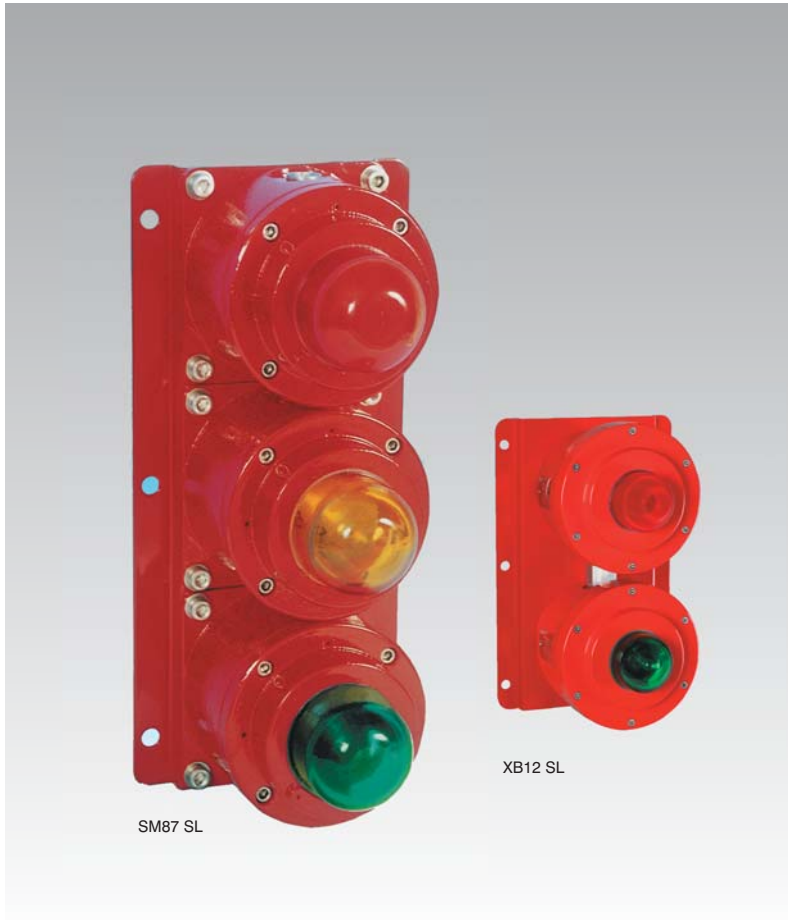


Explosion-proof, Weatherproof



SM87 SL

XB12 SL

Features

- *UL listed for USA and Canada
Class I, Div. 1 & 2, Groups C & D.
Class I, Zone 1, AExd IIB T6.
- *CSA certified.
- ATEX approved.
- IECEx certified.
- *Xenon, fluorescent, filament.
- NEMA 4x & 6, IP66 & 67.
- Certified temperature: -67°F to +131°F.
-55°C to +55°C.
- *4 Wire monitored connection.
- Marine grade alloy or GRP.
- Close-coupled and pre-wired to customer's requirements.

**Model dependent.*

Introduction

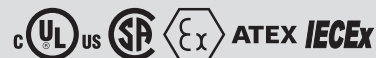
These ranges of versatile status lights have been designed to suit various offshore and onshore applications.

Available as Xenon, filament and fluorescent beacons/strobes.

The SM87 SL range is manufactured in marine grade alloy and the XB12 SL in corrosion-free GRP to provide a wide range of status lights to suit clients' requirements.

All units can be supplied as 1, 2, 3, 4 or 5 way.

European, Russian and other worldwide approvals are available, refer to main section of catalog.



Specification

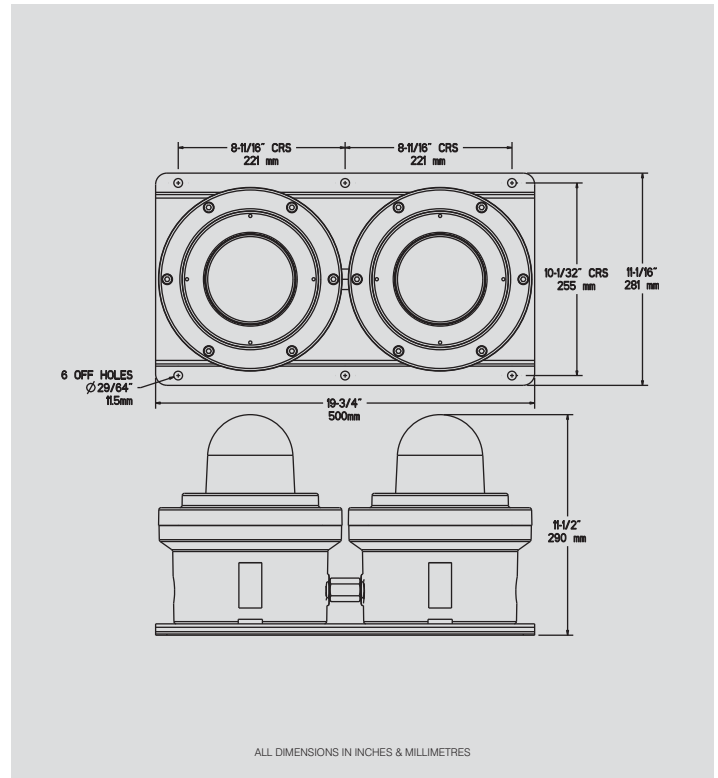
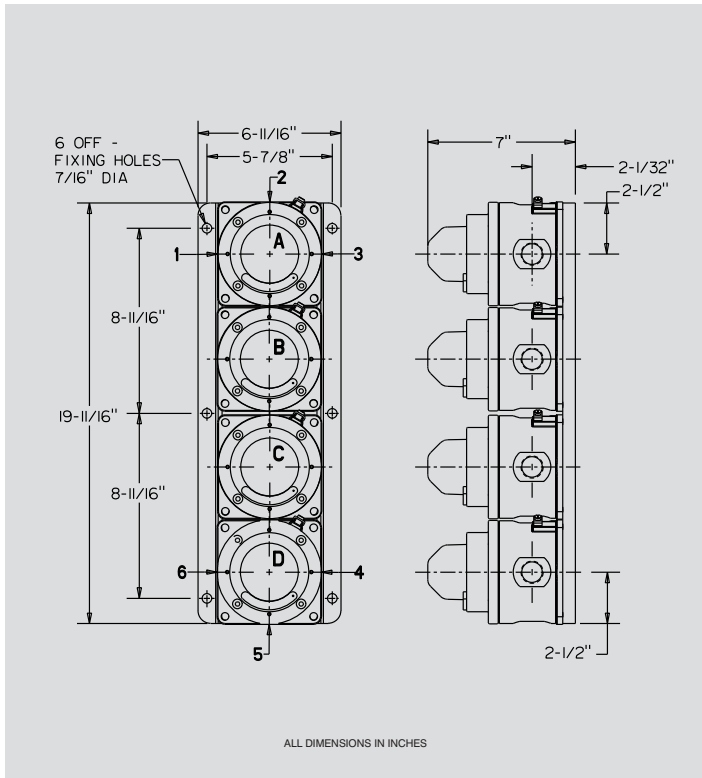
SM87 SL

Lamp Types:	Xenon 6 joules maximum. Fluorescent 10W or 5W. Filament 40W maximum.
Certification:	UL Listed for USA and Canada Class I, Div 1, Groups C & D, Class I, Zone 1, AExd IIB T6. Listing No. E187894. CSA Certified: Class 1, Div 1 & 2, Group D. Cert. No. 96406.
Voltage Frequency:	50 Hz as standard. 60 Hz available if required.
Xenon Voltages:	24, 48V d.c. 110, 120, 240, 254V a.c. (see SM87 HXB data sheet for further information)
Filament Voltages:	12, 24, 48V d.c., 110, 220, 240, 254V a.c. (see SM87 LU3 data sheet for further information)
Fluorescent Voltages:	12, 24, 48V, 220, 240, 254V a.c. (see SM87 LU1 data sheet for further information)
Lamp Colors:	Red, Amber, Yellow, Green, Blue or Clear.
Terminals:	Will accept up to 14AWG cable.
Wiring:	Standard configuration of internal wiring is to common the negative/neutral connections. If individually wired lamps are required, please state requirements.
Entries:	Up to 3 x 1/2" or 3/4" NPT.
Enclosure:	LM 25TF Marine Grade Alloy.
Lens:	Glass.
Finish:	Painted to customer's specification.
Ingress Protection:	NEMA 4x and 6, IP66 & 67.
Ambient Temp.	-13°F to 131°F (-25°C to +55°C) – Class I, Div 1. -67°F to +131°F (-55°C to +55°C) – Class I, Zone 1.

XB12 SL

Lamp Types:	Xenon 21 joules. Filament 60W.
Certification:	UL Listed for USA and Canada Class I, Div 2, Groups C & D, Class I, Zones 1 & 2, AExd IIB T4/T5. Listing No. E187894.
Voltage Frequency:	50 Hz as standard. 60 Hz available if required.
Xenon Voltages:	24V d.c., 110V, 240V a.c. (see XB12 data sheet for further information)
Filament Voltages:	120V a.c. (see FB12 data sheet for further information)
Fluorescent Voltages:	-
Lamp Colors:	Red, Amber, Yellow, Green, Blue or Clear.
Terminals:	Will accept up to 14AWG cable.
Wiring:	Standard configuration of internal wiring is to common the negative/neutral connections. If individually wired lamps are required, please state requirements.
Entries:	1 x 1/2" NPT.
Enclosure:	GRP.
Lens:	Glass.
Finish:	Painted to customer's specification.
Ingress Protection:	NEMA 4x and 6, IP66 & 67.
Ambient Temp.	-67°F to +158°F (-55°C to +70°C).

Note: XB11 SLUL also available.



Ordering Requirements

Please contact Cooper MEDC to discuss your requirements.